

RETEKESS

T-AC01 User Manual

EU

DE

FR

IT

ES

◆ Introduction:

Thank you for choosing our access control series product. The AIO (all in one) machine is touch-screen access control and support opening the door by password, swiping card. It has functions of external Wiegand read head, external memory, anti-tamper alarm, adding and deleting card and extending voice.

1. Technical Data

No	specification	parameter
1	Operating voltage	12V
2	Quiescent Current	≤50mA
3	Storage capacity	3000 or 5000 card users
4	Read Range	5-10cm
5	Ambient temperature	-20 C -70 C
6	Humidity	0-95%
7	Opening hours	0-255 seconds (adjustable)
8	Dimensions	110.5*70*21mm

2. Function setting

Press "*", enter "123456" or swipe master card directly to get into the programming mode	"0"	modify the programming code, and set the main card.
	"1"	Adding a user card
	"2"	Add the password for the user
	"3"	Add Calgary Password
	"4"	Delete single user
	"5"	Delete all users
	"6"	change password
	"7"	Modify open delay time
	"8"	system initialization
	"9"	Set universal password to open the door, to increase card and delete card

◆ Set and use

1. The initial open code 7890, the programming code 123456

2. Shortcut set

Press * [wait for credit card]

- (1) Swipe system master card, enter system programming state
- (2) swipe added card to get to adding user card state
- (3) swipe deleted card to get to deleting user card state

3. Modify the programming code, and set the system master card

A, press * [programming code] [#] [0] [new password] [#] [new password] [#]

Note: The buzzer sounds for the operation is successful (password length is 1-8).

B, according to the programming code * [program code] [#] [0] [swipe card]

Note: credit card Beeper represents the main card set successfully.

4 Add-in card-type user

Press * programming code # 1 "4 digits user code" # swipe card

Note: The user code to any four digits and automatically incremented. Continues to add card, the code will automatically gain 1.

5. Add password type user

Press * [programming code] [#] [2] [4 digits user code] [user password] [#]

Note: 4 digits user number code (for example, 1 to enter 0001) User password (0-8 digits)

the buzzer sounds loudly means that add a password type user operation is successful, continue to enter the user code can continuously add a password-type users who uses this password.

6. Add card + password type user

Press * [programming code] [#] [3] [4 digits user code] 4 digits password [#] [swipe card]

The buzzer sounds loudly means that add a card + password type user operation is successful, continue to enter the user code to add te user who use this password.

Add card password type users. (how to open the door: swipe card, after the green light flashes, enter the user password and "#" to open the door)

7. Delete a single user

Press * [programming code] [#] [4] [enter his user code /swipe his card / enter his 10 digits card number] [#]

8. Delete all users

Press * [Enter the programming code] [#] [5] [enter the program code or swipe master card] [#]

Note: The buzzer sounds loudly means that the operation is successful.

9. Change password

Press [*] [Enter the programming code] [#] [6] [4 digits user code] [4 new code] [#]

NOTE: In programming mode you can continue this operation.

10. Change open delay time

Press [*] [Enter the programming code] [#] [7] [open seconds] [#]

Note: The door delay of 0-255 seconds, default 3 seconds, up to 255 seconds.

11. System initialization

Press [*] [programming code] [#] [8] [Enter the programming] [or swipe master card] [#]

Note: The buzzer will sound once the operation is successful initialization, it will clear all the settings.

Swipe delete card-swipe add card-swipe delete card can also initialize this machine.

12. Setting management card (add card and delete card)

Press [*] [programming code] [#] [9] [swipe card]

Note : the first swiping card is add card, the second swiping card is delete card. This function is to facilitate the operation of adding and deleting user card, set to add and delete cards

After this operation, you can swipe add card or delete card to add or remove users' card.

13. Set common password to open the door

Press [*] [programming code] [#] [9] [Enter 4 digits password] [#]

Note : the password default is 7890, you can enter 0000 to delete the common password when you enter the 4 digits password.

14. Exit the programming mode

Press [] to exit the programming mode, if there is no action in 10 seconds it will exit automatically.

15. Open and close the function of alarm

Swipe the delete card 3 times to close the function of alarm, swipe the add card 3 times to open the function of alarm.

◆ Access Control jumper settings

A, J1 active and passive output settings, when 1 and 2 are connected, COM, NC, NO is switch signal output.

When the 2 and 3 are connected, COM and GND shorted for active signal output. (note: when connect the automatic door, J1 1 and 2 connected, then COM and NO access to the automatic door trigger port)

B, J2 RESET Reset Settings, after short circuit J2, power up can be initially the programmed password (it will not clear the user data).

◆ Setting to copy the data

TXD and RXD of the main access control connect RXD and TXD of the subordinate access control, the TXD and RXD must be connected in braces, then enter the password to copy data, the indicator red green lamp will spark at the same time, the beep sound means that you have copy the data successfully. To have the password to copy the data, you could consult the seller. (The main access control is who has data, the subordinate access control is who does not have the data)

◆ Change the access control mode

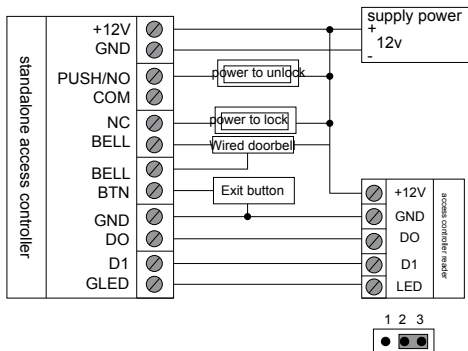
Access control mode: Connect GLED and GND then electrify, when the green lamp flick you should disconnect GLED and GND, the beep means it is successful (the default mode is the access control mode)

The mode of reading (Wiggins 26 output): Connect DO and GND then electrify, when the green lamp flick you should disconnect DO and GND, the beep means that it is successful.

The mode of reading (Wiggins 34 output): Connect D1 and GND then electrify, when the green lamp flick you should disconnect D1 and GND, the beep means that it is successful.

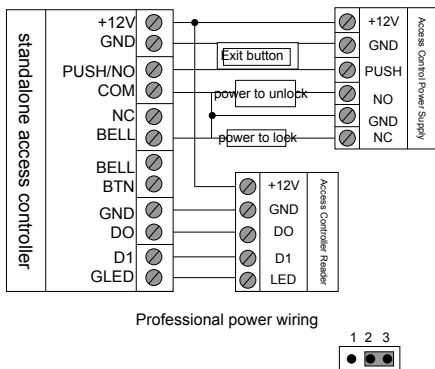
◆ wiring diagram

1. Normal power supply wiring picture



Note: This access control can be used as an external access read heads, TXD and RXD for data copy interface, the two access control can do data copy, please connect the two access machines: TXD and RXD connect in braces.

2. Professional power wiring



Professional power wiring

Note: When using this access control as access control readjustment, please change its working mode. TXD and RXD are data copy interfaces. Two access control can do copy data. When you're wiring, please connect TXD and RXD in brace.

3. Wiring instructions

Red	+12V	Positive pole
black	GND	Negative pole
yellow	NO	Relay normally open output
gray	COM	Electromechanical Relay Common Terminal
violet	NC	Relay normally closed output
brown	BTN	Exit Button
black	GND	Negative pole
green	DO	D0 Signal reader
white	D1	D1 Signal reader
blue	LED	LED Signal Reader
orange	TXD	Copy data
rose	RXD	Copy data

◆ Matters needing attention and failure analysis

1. Precautions

- the user card added or deleted By adding card and deleting card, you can only delete by credit card.

- Tamper alarm is the light sensor, a strong light changes will make alarm, it returned to normal after 2 minutes.
- For the first time using, please change the door open password and programming password
- Pay attention to input or output the Wiegand interface mode, refer to the fifth setting
- Data to copy the two host TXD and RXD to be cross-connected
- When you copy the data, please pay attention to the difference of main and subordinate machine, to avoid access machine data be emptied.

2. Fault analysis

Swipe card does not open the door:

- Check whether the card is registered
- Check the wiring if has some problems
- if Access control mode is correct

Do not read the card:

- Check the card type is correct or the card is damaged
- Check whether the external card reader is placed too close to the machine

Tips:

- * Please do not personally repair the machine, if you have any questions, please return to the manufacturer for repair.
- * Before installing on the wall, if you want to punch, please carefully check if there is the dark line or line pipe to prevent drilling dark lines and other unnecessary trouble. Use safety glasses when drilling or securing clamps.
- * If the product is upgraded, the manual will change without prior notice.

RF ENERGY EXPOSURE AND PRODUCT SAFETY GUIDE



Before using this radio, read this guide which contains important operating instructions for safe usage and RF energy awareness and control for compliance with applicable standards and regulations.

This radio uses electromagnetic energy in the radio frequency (RF) spectrum to provide communications between two or more users over a distance. RF energy, which when used improperly, can cause biological damage.

All Reteless radios are designed, manufactured, and tested to ensure they meet government-established RF exposure levels. In addition, manufacturers also recommend specific operating instructions to users of the radios. These instructions are important because they inform users about RF energy exposure and provide simple procedures on how to control it.

Please refer to the following websites for more information on what RF

exposure is and how to control your exposure to assure compliance with established RF exposure limits: <http://www.who.int/en/>

Local Government Regulations

When radios are used as a consequence of employment, the Local Government Regulations requires users to be fully aware of and able to control their exposure to meet occupational requirements. Exposure awareness can be facilitated by the use of a product label directing users to specific user awareness information. Your Reteless radio has

a RF Exposure Product Label. Also, your Reteless user manual, or separate safety booklet includes information and operating instructions required to control your RF exposure and to satisfy compliance requirements.

Radio License (if appropriate)

Governments keep the radios in classification, business radios operate on radio frequencies that are regulated by the local radio management departments (FCC, ISED, OFCOM, ANFR, BFTK, Bundesnetzagentur...). To transmit on these frequencies, you are required to have a license issued by them. The detailed classification and the use of your radios, please contact the local government radio management departments. Use of this radio outside the country where it was intended to be distributed is subject to government regulations and may be prohibited.

Unauthorized modification and adjustment

Changes or modifications not expressly approved by the party responsible for compliance may void the user's authority granted by the local government radio management departments to operate this radio and should not be made. To comply with the corresponding requirements, transmitter adjustments should be made only by or under the supervision of a person certified as technically qualified to perform transmitter maintenance and repairs in the

private land mobile and fixed services

as certified by an organization representative of the user of those services. Replacement of any transmitter component (crystal, semiconductor, etc.) not authorized by the local government radio management departments equipment authorization for this radio could violate the rules.

FCC Requirements:

- This device complies with part 15 of the FCC Rules. Operation is subject to the following two conditions:
 - (1) This device may not cause harmful interference, and
 - (2) This device must accept any interference received, including interference that may cause undesired operation • This equipment has been tested and found to comply with the limits for a Class B digital device, pursuant to Part 15 of the FCC Rules. These limits are designed to provide reasonable protection against harmful interference in a residential installation. This equipment generates uses and can radiate radio frequency energy and, if not installed and used in accordance with the instructions, may cause harmful interference to radio communications. However, there is no guarantee that interference will not occur in a particular installation. If this equipment does cause harmful interference to radio or television reception, which can be determined by turning the equipment off and on, the user is encouraged to try to correct the interference by one or more of the following measures:
 - Reorient or relocate the receiving antenna.
 - Increase the separation between the equipment and receiver.
 - Connect the equipment into an outlet on a circuit different from that to which the receiver is connected.
 - Consult the dealer or an experienced radio/TV technician for help.

CE Requirements:

- (Simple EU declaration of conformity) Henan Eshow Electronic Commerce Co.,Ltd declares that the radio equipment type is in compliance with the essential requirements and other relevant provisions of RED Directive 2014/53/EU and the ROHS Directive 2011/65/EU and the WEEE Directive 2012/19/EU; the full text of the EU declaration of conformity is available at the following internet address:

www.retekeess.com.

- Disposal

The crossed-out wheeled-bin symbol on your product, literature, or packaging reminds you that in the European Union, all electrical and electronic products, batteries, and accumulators (rechargeable batteries) must be taken to designated collection locations at the end of their working life. Do not dispose of these products as unsorted municipal waste. Dispose of them according to the laws in your area.



IC Requirements:

Licence-exempt radio apparatus This device contains licence-exempt transmitter(s)/receiver(s) that comply with Innovation, Science and Economic Development Canada's licence-exempt RSS(s). Operation is subject to the following two conditions:

- (1) This device may not cause interference.
- (2) This device must accept any interference, including interference that may cause undesired operation of the device. Le présent appareil est conforme aux CNR d'Industrie Canada applicables aux appareils radio exempts de licence. L'exploitation est autorisée aux deux conditions suivantes :
 - (1) l'appareil ne doit pas produire de brouillage;
 - (2) l'utilisateur de l'appareil doit accepter tout brouillage radioélectrique subi, même si le brouillage est susceptible d'en compromettre le fonctionnement.

RF Exposure Information

- DO NOT operate the radio without a proper antenna attached, as this may damage the radio and may also cause you to exceed RF exposure limits. A proper antenna is the antenna supplied with this radio by the manufacturer or an antenna specifically authorized by the manufacturer for use with this radio, and the antenna gain shall not exceed the specified gain by the manufacturer declared.
- DO NOT transmit for more than 50% of total radio use time, more than 50% of the time can cause RF exposure compliance requirements to be exceeded.
- During transmissions, your radio generates RF energy that can possibly cause interference with other devices or systems. To avoid such interference, turn off the radio in areas where signs are posted to do so.
- The device complies with RF specifications when the device used at 5mm from your body. Third-party belt-clips, holsters, and similar accessories used by this device should not contain any metallic components. Body-worn accessories that do not meet these requirements may not comply with RF exposure requirements and should be avoided.
- DO NOT operate the transmitter in areas that are sensitive to electromagnetic radiation such as hospitals, aircraft, and blasting sites.

Avoid Choking Hazard



Small Parts. Not for children under 3 years.

Protect your hearing



- Use the lowest volume necessary to do your job.
- Turn up the volume only if you are in noisy surroundings.
- Turn down the volume before adding headset or earpiece.
- Limit the amount of time you use headsets or earpieces at high volume.
- When using the radio without a headset or earpiece, do not place the radio's speaker directly against your ear
- Use careful with the earphone maybe possible excessive sound pressure from earphones and headphones can cause hearing loss Note: Exposure to loud noises from any source for extended periods of time may temporarily or permanently affect your hearing. The louder the radio's volume, the less time is required before your hearing could be affected. Hearing damage from loud noise is sometimes undetectable at first and can have a cumulative effect.



Avoid Burns



Antennas

- Do not use any portable radio that has a damaged antenna. If a damaged antenna comes into contact with the skin when the radio is in use, a minor burn can result.

Batteries (If appropriate)

- When the conductive material such as jewelry, keys or chains touch exposed terminals of the batteries, may complete an electrical circuit (short circuit the battery) and become hot to cause bodily injury such as burns. Exercise care in handling any battery, particularly when placing it inside a pocket, purse or other container with metal objects Long transmission
- When the transceiver is used for long transmissions, the radiator and chassis will become hot.

Safety Operation



Forbid

- Do not use charger outdoors or in moist environments, use only in dry locations/conditions.
- Do not disassemble the charger, that may result in risk of electrical shock or fire.
- Do not operate the charger if it has been broken or damaged in any way.
- Do not place a portable radio in the area over an air bag or in the air bag deployment area. The radio may be propelled with great force and cause serious injury to occupants of the vehicle when the air bag inflates.

To reduce risk

- Pull by the plug rather than the cord when disconnecting the charger.
- Unplug the charger from the AC outlet before attempting any maintenance or cleaning.
- Contact Reteless for assistance regarding repairs and service.
- The adapter shall be installed near the equipment and shall be easily accessible
- Risk of explosion if battery is replaced by an incorrect type. Dispose of used batteries according to the instructions.
- Adapter shall be installed near the equipment and shall be easily accessible.
- The plug considered as disconnect device of adapter.
- The operating temperature of the EUT can't exceed the specified range.

Approved Accessories



- This radio meets the RF exposure guidelines when used with the Reteless accessories supplied or designated for the product. Use of other accessories may not ensure compliance with the RF exposure guidelines and may violate regulations.
- For a list of Reteless-approved accessories for your radio model, visit the following website: <http://www.Reteless.com>

◆ Beschreibung:

Vielen Dank für Ihren Einkauf unserer Zutrittskontrollprodukte. AIO (All-in-One) - Maschinen sind Touchscreen-Zugriffssteuerungen und unterstützen das Öffnen der Tür durch ein Passwort und eine Wischkarte. Es verfügt über einen externen Wiegand-Lesekopf, einen externen Speicher, einen Sabotagealarm, Hinzufügung und Löschung der Karten sowie Erweiterung der Voice-Funktionen.

1. Technische Daten

No	Spezifikation	Parameter
1	Betriebsspannung	12V
2	Ruhiger Strom	≤50mA
3	Speicherkapazität	3000 or 5000 card users
4	Lesereichweite	5-10cm
5	Umgebungstemperatur	-20 C -70 C
6	Feuchtigkeit	0-95%
7	Öffnungszeiten	0-255 seconds (adjustable)
8	Abmessungen	110.5*70*21mm

2. Funktionseinstellung

Drücken Sie "*", geben Sie "123456" ein oder ziehen Sie Karte direkt in den Programmiermodus	"0"	Ändern Sie den Programmiercode und stellen Sie die Hauptkarte ein.
	"1"	Hinzufügung einer Benutzerkarte
	"2"	Fügen Sie ein Passwort für den Benutzer hinzu
	"3"	Fügen Sie Calgary Passwort hinzu
	"4"	Löschen Sie einzelne Benutzer
	"5"	Löschen Sie alle Benutzer
	"6"	Änderung von Passwort
	"7"	Änderung der Öffnungsverzögerungszeit
	"8"	Systeminitialisierung
	"9"	Stellen Sie das universelle Passwort ein, um die Tür zu öffnen, die Karte hinzuzufügen und die Karte zu löschen

◆ Funktionsgruppe und Verwendung

1. Der anfänglich offene Code 7890, Programmiercode 123456

2. Tastenkombinationseinstellung

Drücken Sie

(1) Wischen Sie Hauptkarte des Systems, geben Sie den Systemprogrammierungsstatus ein

(2) Wischen Sie die Karte, um den Benutzerkartenstatus hinzuzufügen

(3) Wischen Sie die gelöschte Karte, um den Status der Benutzerkarte zu löschen

3. Ändern Sie den Programmiercode und stellen Sie die Systemmasterkarte ein

Drücken Sie

Hinweis: Der Summer ertönt, wenn die Operation erfolgreich ausgeführt wurde (die Passwortlänge beträgt 1-8).

B, nach dem Programmiercode

Hinweis: Der Kreditkartensummer repräsentiert den Erfolg der Hauptkarte

4. Benutzer des Typs "Plug-in-Karten"

Drücken Sie * Programmiercode # 1 "4 Benutzercodes" # Wischkarte

Hinweis: Der Benutzercode ist eine beliebige vierstellige Nummer und wird automatisch erhöht. Fügen Sie weiter die Karte hinzu, der Code erhält automatisch 1

5. Hinzufügung der Benutzer des Passwort-Typs

Drücken Sie

Hinweis: 4-stellige Benutzernummer (z. B. z. B. 1 für die Eingabe von 0001) Benutzer Passwort (0-8 Ziffern)

Der Summer klingt laut, was bedeutet, dass der Benutzer den Passwortyp erfolgreich hinzugefügt hat, geben Sie das Benutzerkennwort ein, um weiterhin den Kennworttyp Benutzer zur Verwendung dieses Kennworts hinzuzufügen

6. Karte hinzufügen + die Benutzer von Passwortyp

Drücken Sie 4 stelliges Passwort

Der Summer ertönt laut, was bedeutet, dass die Benutzeroperation "Karte + Passwort" erfolgreich hinzugefügt wurde. Geben Sie den Benutzercode ein, um den Benutzer hinzuzufügen, der dieses Passwort verwendet.

Fügen Sie die Nutzer des Kartenpasswort-Typs hinzu.

Fügen Sie die Benutzer des Kartenpasswort-Typs hinzu. (wie öffnen Sie die Tür: Swipe-Karte, nachdem das grüne Licht blinkt, geben Sie das Benutzerpasswort und "#", um die Tür zu öffnen)

7.Löschung des einzelnen Benutzers

Drücken Sie * [programming code] # 4 [enter a user code] #

8.Löschung aller Benutzer

Drücken Sie * [enter the programming code] # 4 [enter a user code or card] #

Hinweis: Der Summer ertönt, was bedeutet, dass die Löschung aller Benutzer erfolgreich ist

9.Änderung von Passwort

Drücken Sie * [Enter the programming code] # 6 # 4 use code 4 use code #

Hinweis: Es ist kontinuierlich im Programmiermodus in Betrieb

10.Änderung der Öffnungsverzögerungszeit

Drücken Sie * [Enter the programming code] # 7 open hours #

11.Systeminitialisierung

Drücken Sie * [Programmiercode programming code] # 8 [Enter the programming or brush card] #

Hinweis: Der Summer ertönt einmal, was bedeutet, dass die Initialisierung erfolgreich war und alle Einstellungen gelöscht wurden.

12.Einstellen Management-Karte(up card and delete card)

Drücken Sie * [programming code] # 9 [brush card]

A, der erste ist, den Kartenpin sel zu erhöhen, die zweite ist, die Karte zu entfernen. (Sie können die Managementkarte direkt verwenden , um die Karte hinzuzufügen oder löschen.)

B, Diese Funktion ist bequem für Aktionen zum Hinzufügen und Löschen von Benutzerkarten, Richten Sie ein, um Karten hinzuzufügen und zu löschen

C, Drücken Sie * , um Karten hinzuzufügen oder zu löschen, oder entfernen Sie Benutzer, um den Status einzugeben

D. Nachdem die Hinzufügen-Karte eingestellt wurde, werden die spätere normale Karte die neue hinzugefügte Karte, die geöffnet werden kann.

E. Nachdem die Löschen-Karte eingestellt wurde, werden die spätere normale Karte gelöscht werden, mit dieser Karte kann die Tür nicht mehr geöffnet werden.

13.Stellen Sie das universelle Passwort ein, um die Tür zu öffnen

Drücken Sie * [programming code] # [Enter 4 code] #

14.Beenden Sie den Programmiermodus

Drücken Sie * Um den Programmiermodus zu verlassen, wird automatisch 10

Sekunden lang keine Aktion ausgeführt

5 Zugriffssteuerungs-Jumpereinstellungen

A, J1 aktive und passive Ausgangseinstellungen, wenn 1 und 2 mit COM, NC, NO für den Schaltsignalausgang verbunden sind

Wenn die 2 und 3 verbunden sind, sind COM und GND kurzgeschlossen für aktiven Signalausgang

B, J2 RESET Reset-Einstellungen, die Kurzschluss-J2-Leistung kann anfängliche Passwort programmiert werden.

15. Den Sabotagealarm ein- und ausschalten. (Diese Funktion ist standardmäßig deaktiviert.)

Diese Funktion einschalten: Streichen Sie dreimal [Hinzufügen-Karte].

Diese Funktion ausschalten: streichen Sie dreimal [Löschen-Karte].

So stoppen Sie den Alarmton: Geben Sie das richtige Passwort für die offene Tür ein.

◆ Einstellungen der Zugriffskontrolle

A, J1 aktive und passive Ausgabeeinstellungen, wenn 1 und 2 angeschlossen sind, COM, NC, NO ist Schaltsignalausgang.Wenn die 2 und 3 angeschlossen sind, sind COM und GND für den aktiven Signalausgang kurzgeschlossen.(Anmerkung: wenn die automatische Tür angeschlossen ist, J1 1 und 2, dann der COM- und NO-Zugang zum automatischen Türauslöser)

B, J2 RESET Reset Settings, nach Kurzschluss J2, kann Power Up zunächst das programmierte Passwort sein (es wird die Benutzerdaten nicht löschen).

◆ Kombi-9670Einstellung zum Kopieren der Daten

TXD und RXD der Haupt-Zutrittskontrolle verbinden RXD und TXD der untergeordneten Zutrittskontrolle, die TXD und RXD müssen in Klammern angeschlossen werden, geben Sie dann das Passwort ein, um Daten zu kopieren, die Anzeige rot grüne Lampe wird gleichzeitig funken, der Piep-Ton bedeutet, dass Sie die Daten erfolgreich kopiert haben.Um das Passwort zu haben, um die Daten zu kopieren, können Sie den Verkäufer konsultieren.(Die wichtigste Zutrittskontrolle ist, wer Daten hat, die untergeordnete Zutrittskontrolle ist, wer die Daten nicht hat)

◆ Modus für die Zugangskontrolle ändern

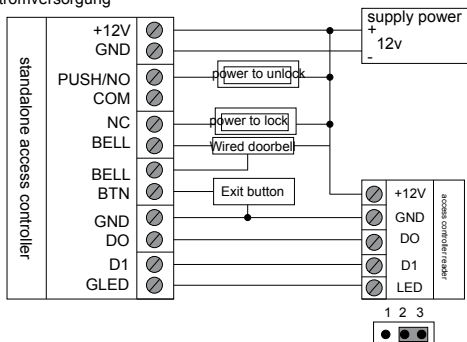
Access Control Modus: GLED und GND verbinden und dann elektrifizieren, wenn die grüne Lampe flackert, sollten Sie GLED und GND trennen, der Piep bedeutet, dass er erfolgreich ist (der Standardmodus ist der Zugriffskontrollmodus)

Der Lesemodus (Wiggins 26 Ausgang): Verbinden Sie DO und GND dann elektrifiziert, wenn die grüne-Lampe flackert, sollten Sie DO und GND trennen, der Piep bedeutet, dass er erfolgreich ist.

Der Lesemodus (Wiggins 34 Ausgang): Verbinden Sie D1 und GND dann elektrifiziert, wenn die grüne Lampe flackert, sollten Sie D1 und GND trennen, der Piep bedeutet, dass er erfolgreich ist

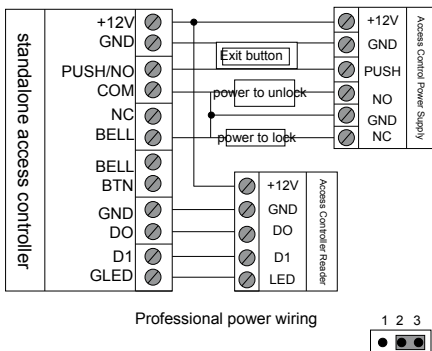
◆ Diagramm der Verkabelung

1. Bild der normalen Stromversorgung



Anmerkung: Diese Zutrittskontrolle kann als externe Access Read Heads, TXD und RXD für Datenkopie-Schnittstelle verwendet werden, die beiden Zutrittskontrolle kann Datenkopie, bitte verbinden Sie die beiden Zutrittsmaschinen: TXD und RXD verbinden in Klammern.

2. Professionelle Stromversorgung



Hinweis: Wenn Sie diese Zugangskontrolle als Neueinstellung der Zugangskontrolle verwenden, ändern Sie bitte den Arbeitsmodus. TXD und RXD sind Datenkopierschnittstellen. Zwei Zugriffskontrollen können Daten kopieren. Wenn Sie verkabeln, schließen Sie bitte TXD und RXD in Klammern an.

3. Verkabelungsanleitungen

rot	+12V	Pluspol
schwarz	GND	Negativer Pol
Gelb	NO	Relais normalerweise offener Ausgang
grau	COM	Gemeinsame Klemme des elektrome-
violett	NC	nischen Relais
braun	BTN	Relais normalerweise geschlossener
schwarz	GND	Ausgang
Grün	DO	Exit-Taste
Weiß	D1	Negativer Pol
Blau	LED	D0 Signalleser
Orange	TXD	D1 Signalleser
Rose	RXD	LED Signalleser

◆Angelegenheiten, die Aufmerksamkeit und Fehleranalyse erfordern

1. Vorsichtsmaßnahmen

- the user card added or deleted By adding card and deleting card, you can only delete by credit card.
- Der Manipulationsalarm ist ein Lichtsensor. Starke Lichtveränderungen lassen den Alarm ertönen und kehren nach 2 Minuten zum Normalzustand zurück.
- Ändern Sie zum ersten Mal das Passwort zum Öffnen der Tür und das Programmierpasswort
- Achten Sie auf die Eingabe oder Ausgabe des Wiegand-Schnittstellenmodus, siehe fünfte Einstellung
- Daten zum Kopieren der beiden Host-TXD und RXD, die miteinander verbunden werden sollen
- Achten Sie beim Kopieren der Daten auf den Unterschied zwischen Haupt- und Nebenmaschine, um zu vermeiden, dass die Daten der Zugriffsmaschine geleert werden.

2. Fehleranalyse

Tür kann nicht mit Karte geöffnet werden:

- Überprüfen Sie, ob die Karte registriert ist
 - Überprüfen Sie, ob die Verkabelung Probleme hat
 - Überprüfen Sie, ob der Zugriffskontrollmodus korrekt ist
- Liest die Karte nicht:
- Überprüfen Sie, ob der Kartentyp korrekt oder die Karte beschädigt ist
 - Überprüfen Sie, ob der externe Kartenleser zu nahe am Gerät platziert ist

Tipps:

- * Bitte versuchen Sie nicht, das Gerät zu reparieren. Wenn Sie irgendwelche Fragen haben, senden Sie es bitte zur Reparatur zurück.
- * Wenn Sie ein Loch bohren möchten, bevor Sie es an der Wand montieren, überprüfen Sie die dunkle Linie oder das Leitungsrohr sorgfältig, um zu verhindern, dass es gebohrt wird. Verwenden Sie beim Bohren oder Fixieren von Clips eine Schutzbrille.
- * Wenn das Produkt aktualisiert wird, ändern sich die Anweisungen wahrscheinlich ohne vorherige Ankündigung.

RF ENERGIE EXPOSURE UND PRODUKTSICHERHEIT



Lesen Sie vor der Verwendung dieses Geräts diese Bedienungsanleitung, die wichtige Betriebsanleitungen für den sicheren Gebrauch und die Kenntnis der Funkfrequenz und die Kontrolle der Einhaltung der geltenden Normen und Bestimmungen enthält.

Dieses Gerät verwendet elektromagnetische Energie im Radiofrequenzspektrum (RF), um die Kommunikation zwischen zwei oder mehr Benutzern über eine Distanz hinweg bereitzustellen. RF-Energie, die bei unsachgemäßer Verwendung biologische Schäden verursachen kann.

Alle Reteless-Funkgeräte werden entwickelt, hergestellt und getestet, um sicherzustellen, dass sie den von der Regierung festgelegten RF-Expositionswerten entsprechen. Darüber hinaus empfehlen Hersteller den Benutzern der Funkgeräte auch spezifische Bedienungsanleitungen. Diese Anweisungen sind wichtig, da sie die Benutzer über die Einwirkung von RF-Energie informieren und einfache Verfahren für deren Steuerung enthalten.

Auf den folgenden Websites finden Sie weitere Informationen zu RF-Energieexpositionen und zur Kontrolle Ihrer Exposition, um die Einhaltung der festgelegten RF-Expositionsgrenzwerte sicherzustellen: <http://www.who.int/de/>

Lokale Regierungsbestimmungen

Wenn Funkgeräte als Folge einer Beschäftigung verwendet werden, müssen die Benutzer nach den örtlichen Regierungsvorschriften ihre Exposition genau kennen und kontrollieren können, um den beruflichen Anforderungen zu genügen. Die Erkennung der Exposition kann durch die Verwendung eines Produktetiketts erleichtert werden, das die Benutzer zu bestimmten Benutzerinformationen führt. Ihr Reteless-Funkgerät verfügt über ein RF-Exposure-Produktetikett. Außerdem enthält Ihr Reteless-Benutzerhandbuch oder eine separate Sicherheitsbroschüre Informationen und Betriebsanleitungen, die zur Kontrolle der RF-Belastung und zur Einhaltung der Konformitätsanforderungen erforderlich sind.

Radio-Lizenz (falls zutreffend)

Die Regierungen halten die Funkgeräte in der Klassifizierung, die Geschäftsradios arbeiten mit Funkfrequenzen, die von den lokalen Funkverwaltungsabteilungen (FCC, ISED, BAKOM, ANFR, BFTK, Bundesnetzagentur ...) reguliert werden. Um auf diesen Frequenzen übertragen zu können, benötigen Sie eine Lizenz. Die genaue Klassifizierung und Verwendung Ihrer Funkgeräte erfahren Sie bei den zuständigen Verwaltungsstellen der örtlichen Behörden.

Die Verwendung dieses Radios außerhalb des Landes, in dem es verteilt werden soll, unterliegt den gesetzlichen Bestimmungen und kann verboten werden.

Eigenmächtige Änderung und Einstellung

Änderungen oder Modifikationen, die nicht ausdrücklich von der für die Einhaltung der Bestimmungen verantwortlichen Partei genehmigt wurden, können die Berechtigung des Benutzers, die von den lokalen Funkverwaltungsabteilungen für den Betrieb dieses Funkgeräts erteilt wurde, aufheben und sollten nicht vorgenommen werden. Um die entsprechenden Anforderungen zu erfüllen, sollten die Einstellungen des Senders nur von oder unter der Aufsicht einer Person vorgenommen werden, die als technisch qualifiziert für die Wartung und Reparatur des Senders in privaten Landfunk- und Festnetzdiensten zertifiziert ist und von einer Organisation, die dessen Nutzer vertritt, zertifiziert ist Dienstleistungen.

Der Austausch von Senderkomponenten (Quarz, Halbleiter usw.), die nicht durch die Autorisierung des Funkmanagements der örtlichen Behörden autorisiert wurden, könnte gegen die Regeln verstoßen.

FCC-Anforderungen:

- Dieses Gerät entspricht Abschnitt 15 der FCC-Bestimmungen. Der Betrieb unterliegt den folgenden zwei Bedingungen:
 - (1) Dieses Gerät darf keine schädlichen Interferenzen verursachen
 - (2) Dieses Gerät muss alle empfangenen Interferenzen akzeptieren, einschließlich Interferenzen, die einen unerwünschten Betrieb verursachen können.
 - Dieses Gerät wurde getestet und entspricht den Grenzwerten für ein digitales Gerät der Klasse B gemäß Teil 15 der FCC-Bestimmungen. Diese Grenzwerte bieten einen angemessenen Schutz gegen schädliche Interferenzen in einer Wohninstallation.
- Dieses Gerät erzeugt Hochfrequenzenergie und kann diese ausstrahlen. Wenn es nicht gemäß den Anweisungen installiert und verwendet wird, kann dies Funkstörungen verursachen. Es kann jedoch nicht garantiert werden, dass bei einer bestimmten Installation keine Interferenzen auftreten. Wenn dieses Gerät den Radio- oder Fernsehempfang stört, was durch Aus- und Einschalten des Geräts festgestellt werden kann, sollte der Benutzer versuchen, die Störung durch eine oder mehrere der folgenden Maßnahmen zu beheben:
- Richten Sie die Empfangsantenne neu aus.
 - Vergrößern Sie den Abstand zwischen Gerät und Empfänger.
 - Verbinden Sie das Gerät mit einer Steckdose in einem anderen Stromkreis als dem, an den der Empfänger angeschlossen ist.
 - Wenden Sie sich an den Händler oder einen erfahrenen Radio- / Fernsehtechniker.

CE-Anforderungen:

- (Einfache EU-Konformitätserklärung) Die Henan Eshow Electronic Commerce Co., Ltd erklärt, dass der Funkgerätetyp den grundlegenden Anforderungen und anderen relevanten Bestimmungen der RED-Richtlinie 2014/53 / EU und der ROHS-Richtlinie 2011/65 / EU entspricht und der WEEE-Richtlinie 2012/19 / EU; Der vollständige Text der EU-Konformitätserklärung ist unter folgender Internetadresse abrufbar: www.retekess.com.
 - Entsorgung
- Das Symbol der durchgestrichenen Mülltonne auf Ihrem Produkt, Ihrer Dokumentation oder Ihrer Verpackung weist Sie darauf hin, dass in der Europäischen Union alle elektrischen und elektronischen Produkte, Batterien und Akkumulatoren (wiederaufladbare Batterien) am Ende ihrer Lebensdauer zu den dafür vorgesehenen Sammelstellen gebracht werden müssen. Entsorgen Sie diese Produkte nicht als unsortierten Hausmüll. Entsorgen Sie sie gemäß den Gesetzen in Ihrer Nähe.



IC-Anforderungen:

- Lizenzfreies Funkgerät
- Dieses Gerät enthält lizenzpflichtige Sender / Empfänger, die den lizenzpflichtigen RSS (s) für Innovation, Wissenschaft und wirtschaftliche Entwicklung Kanadas entsprechen. Der Betrieb unterliegt den folgenden zwei Bedingungen:
- (1) Dieses Gerät darf keine Störungen verursachen.
 - (2) Dieses Gerät muss alle Interferenzen akzeptieren.
- Dieses Gerät stimmt mit Industry Canada RSS für nicht lizenzierte Funkgeräte überein. Der Betrieb ist unter folgenden beiden Bedingungen zulässig:
- (1) Das Gerät darf keine Interferenzen verursachen.
 - (2) Der Benutzer des Geräts muss alle empfangenen Interferenzen akzeptieren, selbst wenn die Interferenz wahrscheinlich den Betrieb beeinträchtigt.

Informationen zur RF Exposition

- Betreiben Sie das Funkgerät NICHT ohne angeschlossene Antenne, da dies das Funkgerät beschädigen und dazu führen kann, dass Sie die Funkfrequenzgrenzwerte überschreiten. Eine geeignete Antenne ist die vom Hersteller mit diesem Funkgerät gelieferte Antenne oder eine vom Hersteller speziell für die Verwendung mit diesem Funkgerät zugelassene Antenne. Der Antennengewinn darf den vom Hersteller angegebenen Gewinn nicht überschreiten.
- Senden Sie NICHT für mehr als 50% der gesamten Funkgebrauchszeit. In mehr als 50% der Zeit können die Anforderungen an die Funkfrequenzbelastung überschritten werden.
- Während der Übertragung erzeugt Ihr Radio RF-Energie, die möglicherweise Interferenzen mit anderen

Geräten oder Systemen verursachen kann. Um solche Interferenzen zu vermeiden, schalten Sie das Radio in Bereichen aus, in denen Schilder angebracht sind.

- Das Gerät entspricht den RF-Spezifikationen, wenn das Gerät 5 mm von Ihrem Körper entfernt ist. Gürtelclips, Halfter und ähnliches Zubehör, die von diesem Gerät verwendet werden, dürfen keine metallischen Komponenten enthalten. Am Körper getragenes Zubehör, das diese Anforderungen nicht erfüllt, entspricht möglicherweise nicht den Anforderungen an die RF-Exposition und sollte vermieden werden.
- Betreiben Sie den Sender NICHT in Bereichen, die empfindlich auf elektromagnetische Strahlung reagieren, z. B. in Krankenhäusern, Flugzeugen und Sprenggebieten.

Erstickungsgefahr vermeiden



Kleine Teile. Nicht für Kinder unter 3 Jahren.

Schützen Sie Ihr Gehör:



- Verwenden Sie das niedrigste Volumen, das für Ihre Arbeit erforderlich ist.
 - Erhöhen Sie die Lautstärke nur, wenn Sie sich in einer lauten Umgebung befinden.
 - Verringern Sie die Lautstärke, bevor Sie ein Headset oder einen Hörer hinzufügen.
 - Beschränken Sie die Verwendung von Headsets oder Ohrhörern auf hohe Lautstärke.
 - Wenn Sie das Radio ohne Headset oder Ohrhörer verwenden, stellen Sie den Lautsprecher des Radios nicht direkt an Ihr Ohr
 - Vorsicht beim Umgang mit dem Kopfhörer. Möglicherweise führt ein zu hoher Schalldruck von Ohrhörern und Kopfhörern zu Gehörschäden
- Hinweis: Wenn Sie längere Zeit lauten Geräuschen einer beliebigen Quelle ausgesetzt sind, kann dies Ihr Gehör vorübergehend oder dauerhaft beeinträchtigen. Je lauter die Lautstärke des Radios ist, desto weniger Zeit wird benötigt, um Ihr Gehör zu beeinträchtigen. Gehörschäden durch laute Geräusche sind manchmal zunächst nicht nachweisbar und können sich kumulativ auswirken.



Verbrennungen



Antennen

- Verwenden Sie kein tragbares Radio mit beschädigter Antenne. Wenn eine beschädigte Antenne während der Verwendung des Radios mit der Haut in Kontakt kommt, kann dies zu leichten Verbrennungen führen.
- Batterien (falls zutreffend)
- Wenn das leitfähige Material, z. B. Schmuck, Schlüssel oder Ketten, die freiliegenden Klemmen der Batterien berühren, kann ein elektrischer Stromkreis geschlossen werden (Kurzschluss der Batterie) und heiß werden, was zu Körperverletzungen wie Verbrennungen führt. Gehen Sie beim Umgang mit Akkus vorsichtig vor, insbesondere wenn Sie sie in einer Tasche, einer Handtasche oder einem anderen Behälter mit Metallgegenständen ablegen Lange Übertragung
- Wenn der Transceiver für lange Übertragungen verwendet wird, werden der Kühler und das Chassis heiß.

Sicherheitsbetrieb



Verboten

- Verwenden Sie das Ladegerät nicht im Freien oder in feuchter Umgebung und nur in trockenen Umgebungen.
- Bauen Sie das Ladegerät nicht auseinander, da dies zu einem elektrischen Schlag oder Brand führen kann.
- Betreiben Sie das Ladegerät nicht, wenn es beschädigt ist.
- Platzieren Sie kein tragbares Radio in der Nähe eines Airbags oder im Bereich der Airbagauslösung. Das Radio kann mit großer Kraft angetrieben werden und die Insassen des Fahrzeugs ernsthaft verletzen, wenn sich der Airbag aufbläst. Um das Risiko zu reduzieren
- Ziehen Sie am Stecker und nicht am Kabel, wenn Sie das Ladegerät trennen.
- Trennen Sie das Ladegerät von der Netzsteckdose, bevor Sie eine Wartung oder Reinigung durchführen.
- Wenden Sie sich an Retekess, um Unterstützung bei Reparaturen und Service zu erhalten.
- Der Adapter muss sich in der Nähe des Geräts befinden und leicht zugänglich sein
- Explosionsgefahr, wenn die Batterie durch einen falschen Typ ersetzt wird. Entsorgen Sie gebrauchte Batterien gemäß den Anweisungen.
- Der Adapter muss sich in der Nähe des Geräts befinden und leicht zugänglich sein.
- Der Stecker gilt als Trenngerät vom Adapter.
- Die Betriebstemperatur des Endgerätes darf den angegebenen Bereich nicht überschreiten.

Zugelassenes Zubehör



- Dieses Funkgerät erfüllt die Richtlinien zur RF Exposition, wenn es mit dem von Reteless gelieferten Zubehör verwendet wird, das für das Produkt geliefert wird oder dafür bestimmt ist. Die Verwendung von anderem Zubehör kann nicht die Einhaltung der RF Expositionsrichtlinien gewährleisten und verstößt möglicherweise gegen Vorschriften.
- Eine Liste von von Reteless zugelassenem Zubehör für Ihr Funkmodell finden Sie auf der folgenden Website: <http://www.Reteless.com>

◆ Introduction du produit

Merci beaucoup de choisir notre système de contrôle d'accès, ce produit AIO (all in one) équipe l'écran tactile et il soutient la fonction d' ouvrir la porte par le code secret, la présentation d'une carte d'identité ou la combinaison du code et la carte. Il peut :

Supporter 4 genres de cartes : le style de ID, le style de IC, le style de non-étanche et le style d'étanche;

Ce produit est désigné en tout métal (alliage de zinc), l'écran du plexiglas et l'écran tactile;

8000 utilisateurs peuvent être stockés et lu et il est très sécuritaire pensant l'utilisation

Le microprocesseur de haute qualité a la capacité d'anti-interférence, de haute sécurité et de haute fiabilité;

Copie de données et faire une sauvegarde à la même série de contrôle d'accès , augmenter et supprimer les cartes.

1. Paramètre technique

No	Spécification	Paramètre
1	Tension de travail	DC9V-16V
2	Courant statique	≤50mA
3	Capacité de stocker	8000 cartes d'utilisateurs
4	Distance de lire	5-10 cm
5	Température de travail	-20 C ~70 C
6	Humidité de travail	0-95%
7	Ouvre	0 - 255 secondes (réglable)
8	Dimension	110.5 * 70 * 21 mm

2. Réglage de fonction

Appuyer "***", entrez "123456#" ou lire la carte de maître directement pour entrer la mode de programme	"0"	modifier le code de programme et régler la carte de maître
	"1"	ajouter la carte d'utilisateur
	"2"	ajouter le mot de passer d'utilisateur
	"3"	ajouter la carte + le mot de passer d'utilisateur
	"4"	supprimer une utilisateur
	"5"	supprimer tous les utilisateurs
	"6"	changer le mot de passer d'utilisateur
	"7"	changer le temps de retard d'ouvrir la porte
	"8"	initialisation du système
"9"	régler le mot de passer général, ajouter et supprimer la carte	

◆ Réglage et le moyen d'utiliser

1. Le code d'entrer le mode initial est 7890, le mode de programme est 123456.

2. Opération rapide

(1)Lire la carte de maître, entrer le mode de programme

(2)Valider la carte d'ajouter, entrer le mode d'ajouter la carte d'utilisateur

(3)Valider la carte de supprimer, entrer le mode de supprimer la carte d'utilisateur

[Créer les carte de management (la maître carte, la carte pour ajouter, la carte pour supprimer)]

Créer la maître carte : * + code de programme (123456 par défaut) + # + 0 + valider une carte + *

Note : une beep sonore signifie que vous avez le réglé avec succès.

Créer la carte d'ajouter et de supprimer: * + code de programme + # + 9 +valider la carte.

Note :valider la première carte est la carte pour ajouter les autres cartes, la seconde carte est la carte pour supprimer les cartes. Il fait les programmation plus simple. Après vous avez créé la carte d'ajouter ou de supprimer, appuyer "***" pour rentrer le mode de ajouter ou supprimer les cartes.

3.Modifier le code de programme et créer la carte de maître

A.Appuyer * + le code de programme + # + 0 + le code de programme nouveau + # + le code de programme nouveau + #

Attention : le bip sonore signifie que vous avez le réglé avec succès (la longueur de mot de passé est de 1-8 chiffres)

B.Appuyer * + code de programme + # + 0 + lire la carte

Attention : le bip sonore signifie le succès

4. Ajouter les utilisateurs qui utilisent la carte

Appuyer * + code de programme + # + 1 + le numéro d'utilisateur en 4 chiffres + # + lire la carte

Attention:le numéro d'utilisateur peut être tout nombre à quatre chiffres, si vous lisez les cartes continuellement, le numéro d'utilisateur sera ajouté 1 automatiquement.

5. Ajouter les utilisateurs qui utilisent le mot de passer

Appuyer * + code de programme + # + 2 + le numéro d'utilisateur en 4 chiffres + le mot de passer + #

Attention : le numéro d'utilisateur en 4 chiffres (par exemple No.1 est 0001), le mot de passer est de 0-8 chiffres

Attention : le bip sonore signifie qu'il est avec succès, continuer d'entrer le numéro d'utilisateur pour ajouter les autres utilisateurs qui utilisent le mot de passer. (Attention : un utilisateur peut utiliser seulement un mot de passer et une carte, un utilisateur ne peut pas utiliser deux mot de passer ou deux cartes en même temps)

6. Ajouter les utilisateurs qui utilisent le mot de passer + la carte

Appuyer * + code de programme + # + 3 + le numéro d'utilisateur en 4 chiffres + mot de passer en 4 chiffres + # + lire la carte

Le bip sonore signifie qu'il est avec succès, continuer d'entrer le numéro d'utilisateur pour ajouter les utilisateurs qui utilisent le mot de passer (quand vous utilisez ce contrôle d'accès vous devez valider la carte, après la lumière verte clignote puis entrer le mot de passer + #, puis vous pouvez ouvrir la porte)

7. Supprimer un utilisateur

Appuyer * + le code de programme + # + 4 + entrer le numéro d'utilisateur ou valider sa carte + #

Appuyer * + le code de programme + # + 4 + valider la carte + #

Appuyer * + le code de programme + # + 4 + entrer le numéro de la carte en 10 chiffres#

Attention : à la mode de programme, vous pouvez continuer à régler

8. Supprimer tous les utilisateurs

Appuyer * + le code de programme + # + 5 + le code de programme ou valider la carte du maître + #

Le bip sonore signifie qu'il est avec succès.

9. Changer le mot de passer

Appuyer * + le code de programme + 6 + le numéro d'utilisateur en 4 chiffres + le mot de passer nouveau en 4 chiffre + #

Attention : à la mode de programme, vous pouvez continuer à régler

10. Changer le temps de retarder d'ouvrir la porte

Appuyer * + le code de programme + # + 7 + entrer le temps d'ouvrir la porte + # Attention : le temps de retarder est de 0 à 255 secondes, le temps par défaut est 3 secondes, le temps le plus long est de 255 secondes

11. Initialisation du système

Appuyer * + le code de programme + # + 8 + entrer le code de programme ou valider la carte d maître + #

Attention : Le bip sonore signifie que vous avez le réglé avec succès. Il a supprimé tous les réglages

12. Créer la carte d'organiser (un pour ajouter et un pour supprimer les cartes)

Appuyer * + le code de programme + # + 9 + lire la carte

Attention : la première carte est pour ajouter les cartes et la deuxième carte est pour supprimer les cartes, c'est pour ajouter ou supprimer les cartes plus facilement. Après la carte d'ajouter ou la carte de supprimer a été créée, lire directement la carte d'ajouter ou la carte de supprimer puis vous pouvez entrer le mode d'ajouter les cartes ou supprimer les cartes.

13. Régler le mot de passer universel d'ouvrir la porte

Appuyer * + le code de programme + # + 9 + entrer le mot de passer en 4 chiffres + # Attention : le mot de passer universel par défaut est 7890, vous pouvez entrer 0000 pour supprimer le mot de passer universel.

14. Quitter le mode de programme

Appuyer [] pour quitter le mode de programme, quitter automatiquement si vous n'avez pas action sur ce produit plus de 10 secondes

15. Allumer et éteindre l'alarme

A. Arrêter l'alarme : entrer le mot de passer pour ouvrir la porte et il peut arrêter l'alarme.

B. Éteindre l'alarme de sabotage : lire la carte de supprimer 3 fois

C. Allumer l'alarme de sabotage : lire la carte d'ajouter 3 fois

◆ Réglage du cavalier

(1) J1. Réglage de sortie active et sortie passive, quand 1 et 2 sont connecté, COM, NC, NO sont sortie du signal de commutation , quand 2 et 3 sont connecté, COM et GND misent en court-circuit, c'est sortie active.

(attention : si vous voulez connecter la porte autonome, connectez 1 et 2, puis laisser COM et NO connecter au port de la porte autonome)

(2) J2 RESET réglage de réinitialisation, court-circuit de J2 puis électrifier, il peut initialiser le code de programme. (attention : l'initialisation ne supprime pas les données d'utilisateur)

◆ Réglage de copier les données

TXD et RXD du contrôle d'accès principal connectent RXD et TXD du contrôle d'accès subalterne, les TXD et RXD doivent être connectées en croisillons, puis entrer le mot de passer de copier, la lampe de témoin étincellent en même temps, le bip sonore signifie que vous avez fait la copie des données avec succès, pour avoir le mot de passer de copier les données, vous

devez consulter au vendeur. (le contrôle d'accès principal est qui a des données, le contrôle d'accès subalterne est qui n'a pas les données)

◆ Changer le mode du contrôle d'accès

Le mode de contrôle d'accès : Connecter GLED et GND puis électrifier, quand la lampe verre étincelle vous devez déconnecter GLED et GND, le bip sonore signifie qu'il est avec succès (le mode par défaut est le mode de contrôle d'accès)

Le mode de lire (sortie de Wiggins 26) : Connecter DO et GND puis électrifier, quand la lampe verre étincelle vous devez déconnecter DO et GND, le bip sonore signifie qu'il est avec succès.

Le mode de lire (sortie de Wiggins 34) : Connecter D1 et GND puis électrifier, quand la lampe verre étincelle vous devez déconnecter D1 et GND, le bip sonore signifie qu'il est avec succès.

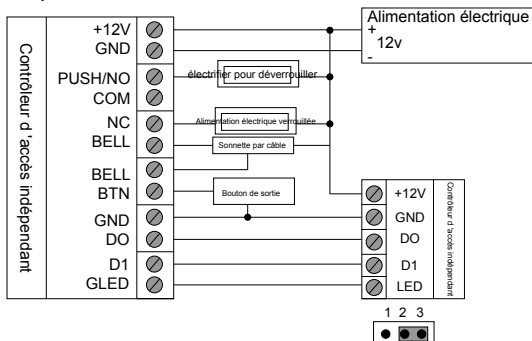
◆ Le réglage par défaut

Le code de programme : 123456

Le code d'allumer ce produit : 7890

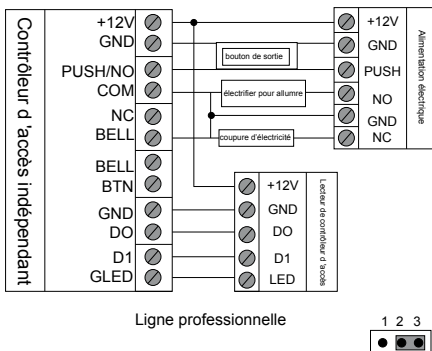
◆ Schéma d'alimentation commun

1. Alimentation électrique



Attention : ce contrôle d'accès peut connecter le lecteur extérieur et il peut utilisé comme le lecteur du contrôle d'accès, TXD et RXD sont les interfaces de copier les données, les deux contrôles d'accès peuvent copier les données l'un l'autre, quand vous connecter les câbles, connectez les TXD et RXD des deux contrôle d'accès en croisillons.

2. Alimentation professionnelle



Attention: quand ce contrôle d'accès est utilisé comme le lecteur, Changez le mode de travail SVP, TXD et RXD sont les interfaces de copier les données, les deux contrôles d'accès peuvent copier les données l'un l'autre, quand vous connectez les câbles, connectez les TXD et RXD des deux contrôle d'accès en croisillons.

3. L'Instruction de câblage

Rouge	+12V	Pôle positif
Noir	GND	Pôle négatif
Jaune	NO	Sortie normalement ouvert de Relais électromécanique
Gris	COM	La borne commune de Relais électromécanique
Violet	NC	Sortie normalement fermé de relais électromécanique
Brun	BTN	Bouton de sortie
Noir	GND	Pôle négatif
Vert	DO	Signal de lecteur D0
Blanche	D1	Signal de lecteur D1
Bleu	GLE	Signal de LED lecteur
Orange	TXD	Copier les données
Rose	RXD	Copier les données

◆ Les consignes à observer et analyse d'échec

1. les consignes à observer

*Les cartes qui sont créées par la carte d'ajouter, ils peuvent être supprimé seulement par la carte de supprimer.

*L'alarme est fonctionné par capteur de lumière, si la lumière change fortement, le contrôle fait alarme et il retourne à la normal après 2 minutes

*Si vous utilisez ce contrôle premièrement, changer le mot de passer et le code de programme SVP.

*Faites attention que le mode d'entrer et le mode de sortie Wigans, lire 5 SVP

*Les deux contrôles d'accès peuvent copier les données l'un l'autre, quand vous connectez les câbles, connectez les TXD et RXD des deux contrôle d'accès en croisillons.

*Quand vous copiez les données, faites les différences des contrôles d'accès principal et contrôles d'accès subalterne pour éviter de supprimer les données

2. Analyse d'échec

La porte n'ouvre pas après lire la carte : *Examiner si la carte a ajouté

*Examiner s'il y a les problèmes de câble

*Si le mode de contrôle d'accès est correct

La carte ne peut pas être lu

*Examiner si le type de carte est correct et si la carte a du dégât

*Examiner si la distance entre le lecteur extérieur et le contrôle d'accès est très près

GUIDE D'EXPOSITION À L'ÉNERGIE RF ET DE SÉCURITÉ DU PRODUIT



ATTENTION!

Avant d'utiliser cette radio, lisez ce guide qui contient des instructions importantes pour l'utilisation en toute sécurité, une prise de conscience de l'énergie RF et un contrôle de la conformité aux normes et réglementations en vigueur.

Cette radio utilise l'énergie électromagnétique dans le spectre des fréquences radio (RF) pour assurer la communication entre deux utilisateurs ou plus à distance. L'énergie RF, qui, si elle est mal utilisée, peut causer des dommages biologiques.

Toutes les radios Retekeess sont conçues, fabriquées et testées pour garantir leur conformité aux niveaux d'exposition aux RF établis par le gouvernement. En outre, les fabricants recommandent également des instructions d'utilisation spécifiques aux utilisateurs des radios. Ces instructions sont importantes car elles informent les utilisateurs sur l'exposition à l'énergie RF et fournissent des procédures simples pour la contrôler. Veuillez consulter les sites Web suivants pour plus d'informations sur l'exposition en énergie RF et sur la manière de contrôler votre exposition afin de garantir le respect des limites d'exposition aux RF établies: <http://www.who.int/en/>

Réglementation du gouvernement local

Lorsque les radios sont utilisées à la suite d'un emploi, les réglementations des administrations locales exigent que les utilisateurs soient pleinement informés de leur exposition et en mesure de contrôler leur exposition pour répondre aux exigences professionnelles. La sensibilisation à l'exposition peut être facilitée par l'utilisation d'une étiquette de produit orientant les utilisateurs vers des informations de sensibilisation spécifiques. Votre radio Retekeess a une étiquette de produit RF Exposure. De plus, votre manuel d'utilisation Retekeess ou votre livret de sécurité distinct contient les informations et les instructions d'utilisation nécessaires pour contrôler votre exposition aux RF et satisfaire aux exigences de conformité.

Licence Radio (si approprié)

Les gouvernements maintiennent les radios en classification, les radios professionnelles fonctionnent sur des fréquences radio réglementées par les services de gestion des radios locales (FCC, ISED, OFCOM, ANFR,

BFTK, Bundesnetzagentur, etc.). une licence délivrée par eux. La classification détaillée et l'utilisation de vos radios, veuillez contacter les services de gestion des radios du gouvernement local.

L'utilisation de cette radio en dehors du pays où elle devait être distribuée est soumise à la réglementation gouvernementale et peut être interdite.

Modification et ajustement non autorisés

Les changements ou modifications non expressément approuvés par la partie responsable de la conformité peuvent annuler l'autorité de l'utilisateur accordée par les services de gestion de la radio du gouvernement local pour utiliser cette radio et ne doivent pas être effectués. Pour se conformer aux exigences correspondantes, les réglages de l'émetteur ne doivent être effectués que par ou sous la supervision d'une personne techniquement qualifiée pour effectuer la maintenance et la réparation de l'émetteur dans les services fixes et mobiles terrestres privés, tels que certifiés par un organisme représentant l'utilisateur de ces appareils. prestations de service.

Le remplacement de tout composant émetteur (cristal, semi-conducteur, etc.) non autorisé par le gouvernement local, l'autorisation d'équipement de cette radio pour les départements de gestion des radiocommunications pourrait enfreindre les règles.

Exigences de la FCC:

• Cet appareil est conforme à la section 15 de la réglementation de la FCC. Le fonctionnement est soumis aux deux conditions suivantes:

(1) Cet appareil ne doit pas causer d'interférences nuisibles, et

(2) Cet appareil doit accepter toutes les interférences reçues, y compris celles susceptibles de provoquer un fonctionnement indésirable.

• Cet équipement a été testé et déclaré conforme aux limites applicables aux appareils numériques de classe B, définies à la section 15 du règlement de la FCC. Ces limites sont conçues pour fournir une protection raisonnable contre les interférences nuisibles dans une installation résidentielle.

Cet équipement génère, utilise et peut émettre des fréquences radio et, s'il n'est pas installé et utilisé conformément aux instructions, il peut causer des interférences nuisibles aux communications radio. Cependant, rien ne garantit que des interférences ne se produiront pas dans une installation particulière. Si cet équipement provoque des interférences nuisibles avec la réception de radio ou de télévision, ce qui peut être déterminé en éteignant et en rallumant l'équipement, l'utilisateur est invité à tenter de corriger l'interférence en appliquant l'une ou plusieurs des mesures suivantes:

- Réorientez ou déplacez l'antenne de réception.

- Augmentez la distance entre l'équipement et le récepteur.

- Connectez l'équipement à une prise d'un circuit différent de celui auquel le récepteur est connecté.

- Consultez votre revendeur ou un technicien radio / TV expérimenté pour obtenir de l'aide.

Exigences CE:

• (Déclaration de conformité européenne simple) Henan Eshow Electronic Commerce SA déclare que le type d'équipement radio est conforme aux exigences essentielles et aux autres dispositions pertinentes de la directive RED 2014/53 / EU et de la directive ROHS 2011/65 / EU, et la directive DEEE 2012/19 / UE; Le texte complet de la déclaration de conformité UE est disponible à l'adresse Internet suivante: www.retekess.com.

•Disposition

Le symbole de la poubelle à roulettes barrée sur votre produit, votre littérature ou votre emballage vous rappelle que, dans l'Union européenne, tous les produits électriques et électroniques, piles et accumulateurs (piles rechargeables) doivent être conduits vers les lieux de collecte désignés à la fin de leur parcours. vie professionnelle. Ne jetez pas ces produits avec les déchets ménagers non triés. Jetez-les conformément aux lois en vigueur dans votre région.



Exigences IC:

Appareil radio exempté de licence

Cet appareil contient des émetteurs / récepteurs exemptés de licence conformes aux RSS (RSS) d'Innovation, Sciences et Développement économique Canada. Le fonctionnement est soumis aux deux conditions suivantes:

(1) Cet appareil ne doit pas causer d'interférences.

(2) Cet appareil doit accepter toutes les interférences, y compris celles susceptibles de provoquer un fonctionnement indésirable de l'appareil.

Le présent appareil est conforme au CNR d'Industrie Canada radio exemptée de licence. L'exploitation est autorisée aux deux conditions suivantes:

(1) l'appareil ne doit pas produire de brouillage;

(2) l'utilisateur de l'appareil doit accepter tout le brouillage radioélectrique subi, même si le brouillage est susceptible d'être compromis.

Informations sur l'exposition RF

• N'UTILISEZ PAS la radio sans l'antenne appropriée, car cela pourrait l'endommager et pourrait également

vous amener à dépasser les limites d'exposition aux RF. Une antenne appropriée est l'antenne fournie avec cette radio par le fabricant ou une antenne spécifiquement autorisée par le fabricant pour une utilisation avec cette radio. Le gain d'antenne ne doit pas dépasser le gain spécifié par le fabricant.

- NE transmettez PAS pendant plus de 50% du temps total d'utilisation de la radio. Plus de 50% du temps peut entraîner le dépassement des exigences de conformité en matière d'exposition RF.
- Pendant les transmissions, votre radio génère une énergie RF pouvant éventuellement causer des interférences avec d'autres appareils ou systèmes. Pour éviter de telles interférences, éteignez la radio dans les zones où des panneaux indiquent de le faire.
- L'appareil est conforme aux spécifications RF lorsque l'appareil est utilisé à 5 mm de votre corps. Les pinces de ceinture, les étuis et les accessoires similaires utilisés par cet appareil ne doivent contenir aucun composant métallique. Les accessoires portés sur le corps qui ne répondent pas à ces exigences peuvent ne pas être conformes aux exigences d'exposition aux RF et doivent donc être évités.
- N'UTILISEZ PAS l'émetteur dans des zones sensibles aux radiations électromagnétiques telles que les hôpitaux, les avions et les sites de dynamitage.

Éviter le risque d'étouffement



Petites pièces. Pas pour les enfants de moins de 3 ans.

Protégez votre audition



- Utilisez le volume le plus faible nécessaire pour faire votre travail.
- Augmentez le volume uniquement si vous vous trouvez dans un environnement bruyant.
- Baissez le volume avant d'ajouter un casque ou une oreillette.
- Limitez le temps pendant lequel vous utilisez des oreillettes ou des écouteurs à un volume élevé.
- Lorsque vous utilisez la radio sans casque ni écouteur, ne placez pas le haut-parleur de la radio directement contre votre oreille.

• Faites preuve de prudence lorsque vous utilisez les écouteurs, car une pression sonore excessive des écouteurs et des écouteurs peut entraîner une perte auditive.



Remarque: l'exposition aux bruits forts de n'importe quelle source pendant de longues périodes peut affecter votre audition de manière temporaire ou permanente. Plus le volume de la radio est élevé, moins il faudra de temps avant que votre audition soit affectée. Les dommages auditifs causés par le bruit intense sont parfois indétectables au début et peuvent avoir un effet cumulatif.

Éviter les brûlures



Antennes

• N'utilisez pas de radio portable dont l'antenne est endommagée. Si une antenne endommagée entre en contact avec la peau lors de l'utilisation de la radio, une légère brûlure peut en résulter.

Piles (si approprié)

• Lorsque le matériau conducteur, tel que des bijoux, des clés ou des chaînes, touche les bornes exposées des batteries, un circuit électrique peut se terminer (court-circuiter la batterie) et devenir brûlant pour provoquer des blessures corporelles telles que des brûlures. Faites attention lorsque vous manipulez une batterie, en particulier lorsque vous la placez dans une poche, un sac à main ou un autre récipient contenant des objets métalliques

Longue transmission

• Lorsque l'émetteur-récepteur est utilisé pour des transmissions longues, le radiateur et le châssis chauffent.

Opération de sécurité



Interdire

• N'utilisez pas le chargeur à l'extérieur ou dans des environnements humides, utilisez uniquement dans des endroits secs.

• Ne démontez pas le chargeur, vous risqueriez un choc électrique ou un incendie.

• N'utilisez pas le chargeur s'il a été cassé ou endommagé de quelque manière que ce soit.

• Ne placez pas de radio portable dans la zone située au-dessus d'un airbag ou dans la zone de déploiement de celui-ci. La radio peut être propulsée avec une grande force et causer des blessures graves aux occupants du véhicule lors du déploiement de l'airbag.

Réduire les risques

• Tirez sur la fiche plutôt que sur le cordon lorsque vous débranchez le chargeur.

• Débranchez le chargeur de la prise secteur avant de procéder à tout entretien ou nettoyage.

• Contactez Reteless pour obtenir de l'aide concernant les réparations et le service.

• L'adaptateur doit être installé à proximité de l'équipement et doit être facilement accessible.

• Risque d'explosion si la batterie est remplacée par un type incorrect. Jetez les piles usagées conformément aux instructions.

- L'adaptateur doit être installé à proximité de l'équipement et doit être facilement accessible.
- La prise considérée comme un dispositif de déconnexion de l'adaptateur.
- La température de fonctionnement de l'EUT ne peut pas dépasser la plage spécifiée.

Accessoires approuvés



- Cette radio est conforme aux directives sur l'exposition aux radiofréquences lorsqu'elle est utilisée avec les accessoires Retekeess fournis ou conçus pour le produit. L'utilisation d'autres accessoires peut ne pas garantir la conformité avec les consignes d'exposition aux RF et peut enfreindre les réglementations.
- Pour obtenir une liste des accessoires approuvés par Retekeess pour votre modèle de radio, visitez le site Web suivant: <http://www.Retekeess.com>

◆ Introduzione:

Grazie per aver scelto il nostro prodotto della serie di controllo accessi. La macchina AIO (tutto in uno) è il controllo accessi touch-schermo e supporta l'apertura della porta tramite password, scorrendo la scheda. Ha funzioni di lettura esterna Wiegand, memoria esterna, allarme anti-manomissione, aggiunta e cancellazione della carta.

Consiglio di controllo alimentazione controllo accessi: Si consiglia di selezionare il controllo dell'alimentazione come alimentazione durante l'installazione. Non utilizzare due cavi di alimentazione da 12 V direttamente come alimentatore. Questo cavo (da 12 V) può far funzionare normalmente il sistema, ma ridurrà la vita di utilizzo del prodotto.

1. Dati tecnici

No	specificazione	parametro
1	Tensione di esercizio	12V
2	corrente di riposo	≤50mA
3	Capacità di memoria	3000 o 5000 utenti di schede
4	Gamma di Legge	5-10cm
5	Temperatura ambiente	-20 C -70 C
6	umidità	0-95%
7	Orari di apertura	0-255 secondi (regolabile)
8	Dimensioni	110.5*70*21mm

2. Impostazione della

Premere ***, inserire "123456" o scorrere direttamente la carta master per entrare nella modalità di programmazione	"0"	modifica il codice di programmazione e impostare la scheda principale
	"1"	Aggiunta di una carta utente
	"2"	Aggiunge il password per l'utente
	"3"	Aggiunge il password di Calgary
	"4"	Elimina utente singolo
	"5"	Elimina tutti gli utenti
	"6"	cambia password
	"7"	Modifica il tempo di ritardo aperto
	"8"	Inizializzazione del sistem
"9"	Imposta il password universale per aprire la porta, per aggiungere la carta e cancellare la carta	

◆ Impostazione e utilizzo

1. Il codice aperto iniziale 7890, il codice di programmazione 123456

2. Impostazione di scorciatoia

Preme [*] [wait for credit card]

(1) Strisciata master card di sistema, accedere allo stato di programmazione del sistema

(2) Strisciata scheda aggiunta per arrivare ad aggiungere lo stato della scheda utente

(3) Strisciare la carta cancellata per arrivare a cancellare lo stato della carta utente

3. Aggiungecarta + utente di tipo password

Preme [*] [programming code] [#] [3] [4 digits user code] password a 4 cifre [#] swipe card

Il cicalino suona ad alta voce significa che aggiungere una carta + password tipo operazione utente ha successo, continuare a inserire il codice utente per aggiungere l'utente che utilizza questa password.

Aggiungi gli utenti del tipo di password della carta. (come aprire la porta: fai scorrere la carta, dopo che la luce verde lampeggia, inserisci la word utente e "#*" per aprire la porta)

4. Elimina un singolo utente

Preme [*] [programming code] [#] [4] [enter his user code /swipe his card / enter his 10 digits card number] [#]

5. Elimina tutti gli utenti

Preme [*] [Enter the programming code] [#] [5] [enter the program code or swipe master card] [#]

Nota: il cicalino suona ad alta voce significa che è riuscito a fare l'operazione

6. Cambia password

Preme [*] [Enter the programming code] [#] [6] [4 digits user code] [4 new code] [#]

NOTA: in modalità di programmazione è possibile continuare questa operazione.

7. Modifica il tempo di ritardo aperto

Preme * [Enter the programming code] # 7 [open seconds] #

Nota: il ritardo porta di 0-255 secondi, predefinito 3 secondi, fino a 255 secondi.

8. Inizializzazione del sistema

Preme * [programming code] # 8 [Enter the programming or swipe master card] #

Nota: il cicalino suona una volta che l'operazione ha avuto successo con l'inizializzazione, cancellerà tutte le impostazioni.

Puoi anche inizializzare questa macchina.

9. Impostazione della carta di gestione (aggiune carta e cancella scheda)

Preme * [programming code] # 9 [swipe card]

Imposta la carta di gestione (aggiungi la carta e cancella la carta)

Premere * password di programmazione # 9 per spazzolare la prima carta come carta aggiuntiva

Spazzola la seconda carta come carta eliminata

(Quando si utilizza, scorre direttamente la carta di amministrazione poi entrare la modalità di carta aggiuntiva o la modalità di carta eliminata)

10. Impostare la password comune per aprire la porta

Preme * [programming code] # 9 [Enter 4 digits password] #

Nota: la password predefinita è 7890, è possibile inserire 0000 per eliminare la password comune quando si inserisce la password di 4 cifre.

11. Inizializzazione del sistema

Premere * [codice di programmazione] # 8 [Inserisci la scheda master di programmazione o strisciare] #

Nota: Il campanello suonerà una volta che l'operazione avrà successo l'inizializzazione, ripulirà tutte le impostazioni.

Swipe delete card-wipe add card-wipe delete card card può anche inizializzare questa macchina.

12. Impostazione della scheda di gestione (aggiungi carta e cancella carta)

Premere * [codice di programmazione] # 9 [wipe card]

Nota: la prima carta swipping è la carta aggiunta, la seconda carta swipping è la carta di cancellazione. Questa funzione è quella di facilitare il funzionamento di aggiungere e cancellare la scheda utente, impostata per aggiungere e cancellare le schede

Dopo questa operazione, è possibile utilizzare carta aggiunta o cancellare la scheda per aggiungere o rimuovere gli utenti scheda.

13. Imposta la password comune per aprire la porta

Premere * [programmazione] # 9 [Inserisci la password di quattro cifre] #

Nota: il default della password è 7890, è possibile digitare 0000 per eliminare la password comune quando si inserisce la password di quattro cifre.

14. Aprire e chiudere la funzione di allarme

Accendi e spegni l'allarme antimanomissione. La funzione è disattivata per impostazione predefinita.

Attiva questa funzione: fai scorrere [aggiungi scheda] per 3 volte.

Disattiva la funzione: fai scorrere [Elimina scheda] 3 volte.

Come interrompere il suono della sveglia: inserire la password corretta della porta aperta.

15. Esce dalla modalità di programmazione

Preme * per uscire dalla modalità di programmazione, se non vi è alcuna azione entro 10 secondi uscirà automaticamente.

◆ Impostazioni dei jumper del controllo di accesso

A, J1 impostazioni di uscita attive e passive, quando 1 e 2 sono collegati, COM, NC, NO è l'uscita del segnale di commutazione. Quando sono collegati 2 e 3, COM e GND sono in corto circuito per l'uscita del segnale attivo. (nota: quando si collega la porta automatica, J1 1 e 2 collegati, quindi COM e NO accesso alla porta di attivazione automatica della porta)

B, J2 RESET Reset Settings, dopo il cortocircuito J2, l'accensione può essere inizialmente la password programmata (non cancellerà i dati dell'utente).

◆ Impostazione per copiare i dati

TXD e RXD del controllo di accesso principale collegano RXD e TXD del controllo di accesso subordinato, TXD e RXD devono essere collegati tra parentesi, quindi immettere la password per copiare i dati, la spia verde rossa si accenderà allo stesso tempo, il segnale acustico suono significa che hai copiato i dati con successo. Per avere la password per copiare i dati, è possibile consultare il venditore. (Il controllo di accesso principale è chi ha dati, il controllo di accesso subordinato è chi non ha i dati).

◆ Modificare la modalità di controllo di accesso

Modalità di controllo accessi: Collega GLED e GND quindi elettrifica, quando il lampeggio della spia verde dovresti scollegare GLED e GND, il segnale acustico significa che ha esito positivo (la modalità predefinita è la

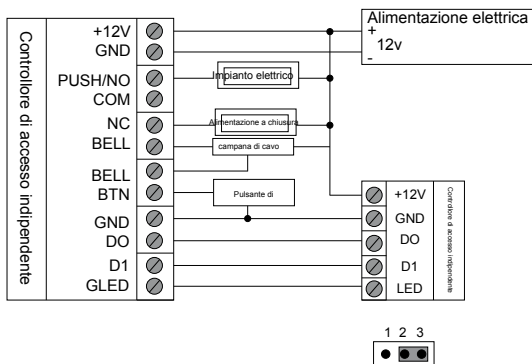
modalità di controllo dell'accesso)

La modalità di lettura (uscita di Wiggins 26): Collegare DO e GND quindi elettrificare, quando il lampeggio della lampada Grenn dovresti scollegare DO e GND, il segnale acustico significa che ha esito positivo.

La modalità di lettura (uscita Wiggins 34): Collegare D1 e GND quindi elettrificare, quando il lampeggio della spia verde si dovrebbe scollegare D1 e GND, il segnale acustico significa che ha esito positivo.

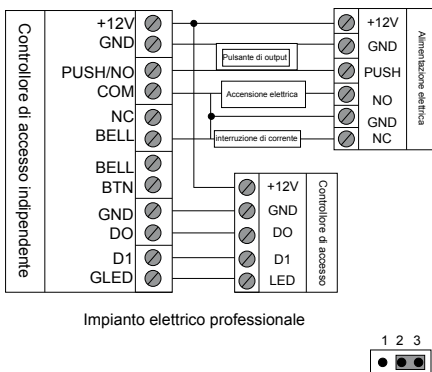
◆ schema elettrico

1. Alimentazione elettrica



Nota: questo controllo di accesso può essere utilizzato come test di lettura di accesso esterno, TXD e RXD per l'interfaccia di copia dei dati, i due controlli di accesso possono eseguire la copia dei dati, collegare i due computer di accesso: TXD e RXD collegati sulla staffa.

2. Alimenti professionali



Nota: quando si utilizza questo controllo di accesso come regolazione del controllo degli accessi, si prega di cambiare la sua modalità di lavoro. TXD e RXD sono interfacce di copia dati. Due controlli di accesso possono copiare i dati. Durante il cablaggio, collegare TXD e RXD sulla staffa.

3. Istruzioni per il cablaggio

rosso	+12V	12 V + DC ingresso di alimentazione regolato
nero	GND	12 V - DC ingresso di alimentazione regolato
giallo	NO	Relè normalmente aperto
grigio	COM	Terminale comune relè elettromeccanico
viola	NC	uscita normalmente chiusa
marrone	BTN	Tasto di uscita
nero	GND	12 V - DC ingresso di alimentazione regolato
verde	DO	WG D0
bianco	D1	WG D1
blu	LED	Letto di segnale
arancione	TXD	Copia dati
rosa	RXD	Copia dati

◆ Questioni che richiedono attenzione e analisi dei guasti

1. Precauzioni

- aggiunta o eliminazione della carta utente Aggiungendo la carta e cancellando la carta, è possibile eliminare solo con carta di credito.
- L'allarme di manomissione è il sensore di luce, una forte luce cambia farà allarme, è tornato alla normalità dopo 2 minuti.
- Per la prima volta utilizzando, modificare la password di apertura della porta e la password di programmazione
- Presta attenzione all'input o alla modalità di interfaccia Wiegand, fa riferimento alla quinta impostazione
- Dati per copiare i due host TXD e RXD da collegare in modo incrociato
- Quando si copiano i dati, prestare attenzione alla differenza tra la macchina principale e quella subordinata, per evitare che i dati della macchina di accesso vengano svuotati.

2. Analisi dei guasti

La scheda Swipe non apre la porta:

- Controlla se la carta è stata registrata
- Controllare il cablaggio se ha qualche problema
- se la modalità di controllo di accesso è corretta

3. Non leggere la carta

- Verifica che il tipo di scheda sia corretto o che la scheda sia danneggiata
- Controlla se il lettore di schede esterno è posizionato troppo vicino alla macchina

ESPOSIZIONE ENERGETICA RF E GUIDA ALLA SICUREZZA DEL



ATTENZIONE!

Prima di utilizzare questa radio, leggere questa guida che contiene istruzioni operative importanti per l'utilizzo sicuro e la consapevolezza e il controllo dell'energia rf per la conformità agli standard e alle normative applicabili.

Questo radio utilizza l'energia elettromagnetica nello spettro a radiofrequenza (RF) per fornire comunicazioni tra due o più utenti su una distanza. Se usata in modo improprio, l'energia a radiofrequenza può causare danni biologici.

Tutti Reteless radio sono progettate, prodotte e testate per garantire che soddisfino i livelli di esposizione RF stabiliti dal governo. Inoltre, i produttori raccomandano anche istruzioni operative specifiche per gli utenti dei radio. Queste istruzioni sono importanti perché informano gli utenti sull'esposizione a energia RF e forniscono semplici procedure su come controllarlo.

Si prega di fare riferimento ai seguenti siti Web per ulteriori informazioni su quale sia l'esposizione all'energia RF e su come controllare la propria esposizione per assicurare la conformità ai limiti stabiliti di esposizione alle radiofrequenze: <http://www.who.int/en/>

Regolamenti del governo locale

Quando le radio a due vie vengono utilizzate come conseguenza del lavoro, i regolamenti delle amministrazioni locali richiedono che gli utenti siano pienamente consapevoli e in grado di controllare la propria esposizione per soddisfare i requisiti professionali. La consapevolezza dell'esposizione può essere facilitata dall'uso di un'etichetta di prodotto che indirizza gli utenti a informazioni specifiche sulla consapevolezza dell'utente. La radio a due vie di Reteless ha un'etichetta di prodotto per esposizione a radiofrequenza. Inoltre, il manuale dell'utente Reteless o un libretto di sicurezza separato includono le informazioni e le istruzioni operative necessarie per controllare l'esposizione RF e soddisfare i requisiti di conformità.

Licenza radio

I governi mantengono le radio in classificazione, radio bidirezionali aziendali operano su frequenze radio che

sono regolate dai dipartimenti di gestione radio locali (FCC, ISED, OFCOM, ANFR, BFTK, Bundesnetzagentur ...). Per trasmettere su queste frequenze, è richiesto di avere una licenza rilasciata da loro. La classificazione dettagliata e l'uso di radio, si prega di contattare i dipartimenti di gestione radio del governo locale. L'utilizzo di questa radio al di fuori del paese in cui è previsto che sia distribuito è soggetto alle normative governative e altrimenti potrebbe essere vietato.

Modifica e regolazione non autorizzate

Cambiamenti o modifiche non espressamente approvati dalla parte responsabile della conformità, possono invalidare l'autorizzazione dell'utente concessa dai dipartimenti di gestione radiofonica del governo locale di utilizzare questa radio, e non dovrebbe essere effettuata. Per soddisfare i requisiti corrispondenti, le regolazioni del trasmettitore devono essere effettuate solo da o sotto la supervisione di una persona certificata come tecnicamente qualificata, per eseguire la manutenzione e le riparazioni del trasmettitore nei servizi mobili e fissi terrestri privati come certificato da un rappresentante dell'organizzazione dell'utente di tali Servizi.

La sostituzione di qualsiasi componente del trasmettitore (cristallo, semiconduttore, ecc.) non è autorizzato dai dipartimenti di gestione radio del governo locale, potrebbe violare le regole.

FCC Requisiti:

Questo dispositivo è conforme alla parte 15 delle norme FCC. Il funzionamento è soggetto alla condizione che questo dispositivo non causi interferenze dannose. (Le radio autorizzate sono applicabili);

- (1) Questo dispositivo non causa interferenze dannose e
- (2) questo dispositivo deve accettare qualsiasi interferenza ricevuta, incluse le interferenze che potrebbero causare un funzionamento indesiderato.

Questa apparecchiatura è stata testata e trovata conforme ai limiti per un dispositivo digitale di Classe B, in conformità alla parte 15 delle Norme FCC. Questi limiti sono progettati per fornire una protezione ragionevole contro interferenze dannose quando l'apparecchiatura viene utilizzata in un ambiente commerciale.

Questa apparecchiatura genera utilizzi e può irradiare energia in radiofrequenza e, se non installata e utilizzata secondo le istruzioni, può causare interferenze dannose alle comunicazioni radio. Tuttavia, non vi è alcuna garanzia che non si verifichino interferenze in una particolare installazione. Se questa apparecchiatura causa interferenze dannose alla ricezione radio o televisiva, che possono essere determinate spegnendo e riaccendendo l'apparecchio, l'utente è incoraggiato a provare a correggere l'interferenza adottando una o più delle seguenti misure:

- Riorientare o riposizionare l'antenna ricevente.
- Aumentare la separazione tra l'apparecchiatura e il ricevitore.
- Collegare l'apparecchiatura a una presa su un circuito diverso da quello a cui è collegato il ricevitore.
- Consultare il rivenditore o un tecnico radio / TV esperto per assistenza.

CE Requisiti:

- (Dichiarazione di conformità UE semplice) Shenzhen Reteless Technology Co., Ltd. dichiara che il tipo di apparecchiatura radio è conforme ai requisiti essenziali e alle altre disposizioni pertinenti della direttiva RED 2014/53 / UE e della direttiva ROHS 2011/65 / UE e la direttiva WEEE 2012/19 / UE; il testo completo della dichiarazione di conformità UE è disponibile al seguente indirizzo internet: www.reteless.com.

- Disposizione

Il simbolo del bidone della spazzatura barrato sul prodotto, sulla documentazione o sulla confezione ricorda che nell'Unione Europea tutti i prodotti elettrici ed elettronici, le batterie e gli accumulatori (batterie ricaricabili) devono essere portati nei luoghi di raccolta designati alla fine del loro vita lavorativa. Non smaltire questi prodotti come rifiuti urbani non differenziati. Smaltirli secondo le leggi della Sua zona



IC Requisiti:

Apparecchio radio Licenza-libero

Questo dispositivo contiene / trasmettitore / ricevente di licenza-libero che soddisfano l'Innovazione, la Scienza e lo Sviluppo Economico RSS (s) esente da licenza del Canada. L'operazione è soggetta alle seguenti due condizioni:

- (1) Questo dispositivo non causa interferenze.
- (2) Questo dispositivo deve accettare qualsiasi interferenza, incluse le interferenze che possono causare un funzionamento indesiderato del dispositivo.

RF Informazione Esposizione

- NON utilizzare la radio senza un'antenna adeguata, in quanto ciò è possibile danneggiare la radio e potrebbe anche causare il superamento dei limiti di esposizione RF. Un'antenna adeguata è l'antenna fornita con questa radio dal produttore o un'antenna specificatamente autorizzata dal produttore per l'uso con questa radio, e il guadagno dell'antenna non deve superare il guadagno specificato dal produttore dichiarato.

- NON trasmettere per oltre il 50% del tempo totale di utilizzo della radio, più del 50% delle volte può causare il superamento dei requisiti di conformità all'esposizione RF.

- Durante le trasmissioni, la radio genera energia RF che può causare interferenze con altri dispositivi o sistemi. Per evitare tali interferenze, spegnere la radio nelle aree in cui sono presenti segnali per farlo.

•NON utilizzare il trasmettitore in aree sensibili alle radiazioni elettromagnetiche come ospedali, aerei e siti di sabbatura.

Evitare il rischio di soffocamento



Piccole parti. Non per bambini sotto i 3 anni.

Protegge il Suo udito



- Utilizzare il volume più basso necessario per svolgere il proprio lavoro.
- Alzare il volume solo se ci si trova in un ambiente rumoroso.
- Abbassare il volume prima di aggiungere l'auricolare o la cuffia.
- Limitare la quantità di tempo in cui si utilizzano auricolari o cuffie a volume elevato.
- Quando si utilizza la radio senza auricolare o cuffia, non posizionare l'altoparlante della radio direttamente contro l'orecchio
- Usare prudentemente con l'auricolare, è possibile che la pressione eccessiva del suono proveniente dagli auricolari e dalle cuffie possa causare la perdita dell'udito



Nota: l'esposizione a forti rumori provenienti da qualsiasi fonte per lunghi periodi di tempo può influenzare temporaneamente o permanentemente l'udito. Più forte è il volume della radio, meno tempo è necessario prima che l'udito possa essere influenzato. Il danno uditivo da rumore forte a volte non rilevabile e può avere un effetto cumulativo.

Evitare le ustioni



Antenne

•Non utilizzare alcuna radio portatile con antenna danneggiata. Se un'antenna danneggiata viene a contatto con la pelle quando la radio è in uso, può verificarsi una lieve ustione.

Batterie (se appropriato)

- Quando il materiale conduttivo come gioielli, chiavi o catene tocca i terminali esposti delle batterie, può completare un circuito elettrico (cortocircuitare la batteria) e diventare caldo per causare lesioni personali come ustioni. Esercitare la massima attenzione nel maneggiare qualsiasi batteria, in particolare quando la si ripone in una tasca, in una borsa o in un altro contenitore con oggetti metallici
- Trasmissione lunga
- Quando il ricetrasmettitore viene utilizzato per trasmissioni lunghe, il radiatore e il telaio si surriscaldano.

Operazione di sicurezza



Vietare

- Non utilizzare il caricabatterie all'aperto o in ambienti umidi, utilizzare solo in luoghi / condizioni asciutti.
- Non smontare il caricabatterie per evitare il rischio di scosse elettriche o incendi.
- Non utilizzare il caricabatterie se è stato rotto o danneggiato in alcun modo.
- Non posizionare una radio portatile nell'area sopra un airbag o nell'area di espansione dell'air bag. La radio può essere spinta con grande forza e causare gravi lesioni agli occupanti del veicolo quando l'airbag si gonfia.

Per ridurre il rischio

- Tirare la spina anziché il cavo quando si scollega il caricabatterie.
- Scollegare il caricabatterie dalla presa CA prima di eseguire qualsiasi manutenzione o pulizia.
- Contattare Retekeess per assistenza in merito a riparazioni e assistenza.
- L'adattatore deve essere installato vicino all'apparecchiatura e deve essere facilmente accessibile

Accessori approvati



•Questa radio soddisfa le linee guida sull'esposizione RF quando viene utilizzata con gli accessori retekess in dotazione o designati per il prodotto. L'uso di altri accessori potrebbe non garantire la conformità alle linee guida sull'esposizione alle radiofrequenze e potrebbe violare le normative.

•Per un elenco degli accessori approvati da retekess per il proprio modello di radio, visitare il seguente sito Web: <http://www.retekess.com>

◆ Introducción:

Gracias por elegir nuestro producto de serie de control de acceso. La máquina AIO (todo en uno) es un control de acceso por pantalla táctil y admite la apertura de la puerta mediante contraseña, deslizando la tarjeta. Tiene funciones de cabezal de lectura Wiegand externo, memoria externa, alarma antimanipulación, adición y eliminación de tarjetas y extensión de voz.

1. Datos técnicos

No	Especificación	Parámetro
1	Tensión de funcionamiento	12V
2	Corriente quieta	≤50mA
3	Capacidad de almacenamiento	3000 o 5000 tarjetas del usuario
4	Rango de lectura de tarjeta	5-10cm
5	Temperatura ambiente	-20 °C -70 °C
6	Humedad	0-95%
7	Tiempo de apertura	0-255 segundos (adjustable)
8	Dimensiones	110.5*70*21mm

2. Configuración de la

Presiona "0", ingresa "123456" o deslice la tarjeta maestra directamente para entrar en el modo de programación	"0"	Modificar la contraseña de programación, y establecer la tarjeta principal
	"1"	Agregar el usuario (tarjeta)
	"2"	Agregar el usuario (contraseña sin tarjeta)
	"3"	Agregar el usuario (la tarjetas y la contraseña)
	"4"	Eliminar usuario individual
	"5"	Eliminar todos los usuarios
	"6"	Cambiar la contraseña del usuario
	"7"	Modificar el tiempo de retraso de la apertura de la puerta
	"8"	inicialización del sistema
"9"	Establezca una contraseña universal para abrir la puerta, agregar la tarjeta y eliminar la tarjeta	

◆ Configuración y operación

1. La contraseña inicial para abrir la puerta es 7890, el código de programación es 123456.

2. Conjunto de atajos

Presiona Tarjeta de crédito

(1) Deslice la tarjeta maestra del sistema, ingrese el modo de programación

(2) Deslice la tarjeta agregada para llegar al estado de agregar la tarjeta de usuario

(3) Deslice la tarjeta eliminada para llegar al estado de eliminar la tarjeta de usuario

3. Modifique la contraseña de programación y configure la tarjeta maestra del sistema

A, Presiona Código de programación # 0 Contraseña nueva # Contraseña nueva #

Nota: El zumbador suena una vez significa que la configuración de la contraseña es exitosa (la longitud de la contraseña es 1-8).

B, Presiona Código de programación # 0 deslice la tarjeta

Nota: El zumbador suena una vez significa que la configuración de la tarjeta maestra es exitosa.

4. Agregar los usuarios (Tarjeta)

Presiona Código de programación # 1 Código de usuario de 4 dígitos # deslice la tarjeta

Nota: Código de usuario de 4 dígitos es cualquier 4 dígitos (por ejemplo: 1234, 0001) y se incrementa automáticamente. Continúa agregando la tarjeta, el código automáticamente ganará 1.

5. Agregar los usuarios (Contraseña)

Presiona Código de programación # 2 Código de usuario de 4 dígitos Contraseña del usuario #

Nota: Código de usuario de 4 dígitos es cualquier 4 dígitos (por ejemplo: 1234, 0001); Contraseña de usuario (0-8 dígitos); El zumbador suena una vez significa que Agregar los usuarios con contraseña sin tarjeta es exitosa, continuar ingresando Código de usuario de 4 dígitos puede agregar continuamente usuarios con contraseña sin tarjeta. (Nota: es un código de usuario de 4 dígitos sólo le permite añadir un usuario)

6. Agregar los usuarios (la contraseña y la tarjeta)

Presiona Código de programación # 3 Código de usuario de 4 dígitos Contraseña del usuario # deslice la tarjeta

Nota: Código de usuario de 4 dígitos es cualquier 4 dígitos (por ejemplo: 1234, 0001); Contraseña de usuario (0-8 dígitos); El zumbador suena una vez significa que agregar los usuarios (contraseña y tarjeta) es exitosa, continuar

ingresando código de usuario de 4 dígitos puede agregar continuamente usuarios (contraseña y tarjeta).

Al abrir la puerta, primero deslice la tarjeta, ingresa contraseña del usuario de 4 dígitos

7. Eliminar un usuario individual

Presiona contraseña de programación # 4 código de usuario de 4 dígitos /deslice la tarjeta / Código de tarjeta de 10 dígitos #

8. Eliminar todos los usuarios

Presiona contraseña de programación # 5 contraseña de programación/deslice la tarjeta maestra #

Nota: El zumbador suena una vez significa que la operación fue exitosa.

9. Cambiar contraseña del usuario

Presiona contraseña de programación # 6 Código de usuario de 4 dígitos 4 contraseña nueva #

10. Modificar el tiempo de retraso de la apertura de la puerta

Presiona código de programación # 7 tiempo (seconds) #

Nota: el tiempo de retraso de la apertura de la puerta es de 0 a 255 segundos, predeterminado es 3 segundos.

11. Inicialización del sistema

Presiona código de programación # 8 código de programación/deslice la tarjeta maestra #

12. Configuración de la tarjeta de administración (tarjeta agregada y tarjeta eliminada)

Presiona código de programación # 9 deslice la tarjeta

Nota: La primera tarjeta que deslice es la tarjeta agregada, la segunda tarjeta es la tarjeta eliminada; Utilice directamente la tarjeta de administración para introducir en el estado de agregar o eliminar la tarjeta;

Después de deslizar la tarjeta agregada, las tarjetas siguientes que deslicen son las nuevas que pueda abrir la puerta; Después de deslizar la tarjeta eliminada, las tarjetas siguientes que deslicen se borran las informaciones, no pueden abrir la puerta.

13. Establecer contraseña común para abrir la puerta

Presiona código de programación # 9 ingresa la contraseña de 4 dígitos #

Nota: la contraseña predeterminada es 7890, puede ingresar 0000 para eliminar la contraseña común.

14. Salir del modo de programación

Presione para salir del modo de programación, si no hay acción en 10 segundos, saldrá automáticamente.

15. Activa o desactiva la alarma de manipulación (desactivada por defecto)

Cancela la alarma: Ingrese la contraseña de puerta abierta para cerrar temporalmente la alarma en el estado de alarma.

Apague la alarma: Deslice la tarjeta eliminada 3 veces para desactivar la función de alarma de sabotaje.

Encienda la alarma: Deslice la tarjeta gregada 3 veces para activar la función de alarma de sabotaje.

◆ Configuración del jumper de control de acceso

A, J1 configuración de salida activa y pasiva, cuando 1 y 2 están conectados, COM, NC, NO se cortocircuitan para la salida de señal pasiva. Cuando los 2 y 3 están conectados, COM y GND se cortocircuitan para la salida de señal activa. (Nota: cuando conecte la puerta automática, conecte 1 y 2 de J1, luego conecta COM y NO al puerto de activación de la puerta automática)

B, J2 Configuración de RESET, después del cortocircuito J2, conecta al fuente de alimentación de nuevo para inicializar el código de programación. (No borrará los datos del usuario).

◆ Operación de copiar los datos

TXD y RXD del control de acceso principal conectan RXD y TXD del control de acceso subordinado de mismo modelo, el TXD y el RXD deben estar conectados cruzadamente, luego ingrese la contraseña para copiar los datos en el control de acceso principal, la luz roja y verde del indicador de los dos control de acceso se parpadeará al mismo tiempo, un pitido significa que ha copiado los datos correctamente. Para saber la contraseña para copiar los datos, puede consultar al vendedor. (El control de acceso principal es quién tiene datos, el control de acceso subordinado es quién no tiene los datos).

◆ Cambia el modo de control de acceso

Modo de control de acceso: después de conectar GLED y GND, luego conecta al fuente de alimentación, cuando la luz verde y roja parpadeen, desconecta GLED y GND, el pitido significa que el cambio es exitoso. (El modo predeterminado es el modo de control de acceso)

El modo de lectura (salida de Wiggins 26): conecte DO y GND, luego conecta al fuente de alimentación, cuando la luz verde y roja parpadeen, desconecta DO y GND, el pitido significa que tiene éxito.

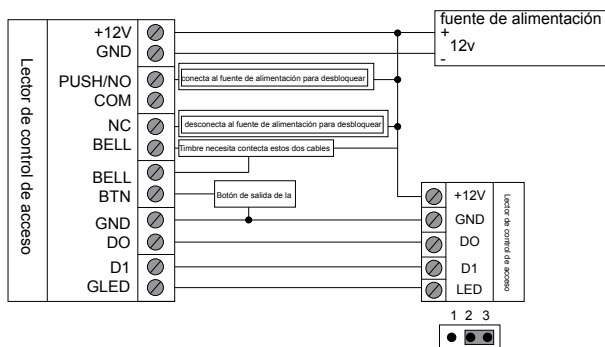
El modo de lectura (salida de Wiggins 34): conecte D1 y GND, luego conecta al fuente de alimentación, cuando la luz verde y roja parpadeen, desconecta D1 y GND, el pitido significa que tiene éxito.

◆ Diagrama de cableado

1. Instrucciones de selección de la fuente de alimentación del control de acceso:

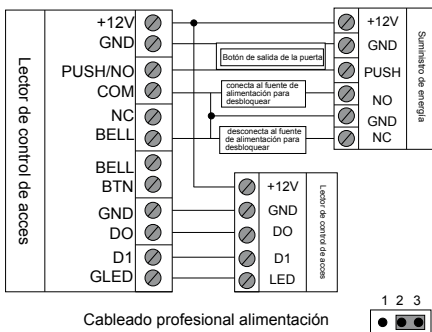
Se recomienda seleccionar la fuente de alimentación del control de acceso como la fuente de alimentación durante la instalación. No use 2 cables de alimentación de 12 V directamente para la fuente de alimentación. Esto puede hacer que el sistema funcione normalmente, pero reducirá la vida útil del producto.

1. Cableado normal de alimentación



Nota: Este control de acceso se puede utilizar como un lector de acceso externo, TXD y RXD para la interfaz de copia de datos, los dos controles de acceso pueden copiar datos, cuando esté cableando, TXD y RXD se conectan cruzadamente.

2. Cableado profesional de alimentación



Cableado profesional alimentación

Nota: Al usar este control de acceso como reajuste del control de acceso, cambie su modo de trabajo. TXD y RXD son interfaces de copia de datos. Dos controles de acceso pueden hacer copia de datos. Cuando esté cableando, TXD y RXD se conectan cruzadamente.

3. Instrucciones de cableado

Rojo	+12V	Polo positivo
Negro	GND	Polo negativo
Amarillo	NO	Relé normalmente abierto
Gris	COM	Terminal común de relé
Violeta	NC	Relé normalmente cerrado
Marrón	BTN	Botón de salida
Negro	GND	Polo negativo
Verde	DO	D0 Lector de señal
Blanco	D1	D1 Lector de señal
Azul	LED	LED Lector de señal
Naranja	TXD	Copiar datos
Rosa	RXD	Copiar datos

◆ Atención y análisis de fallas

1. Atenciones

- La tarjeta de usuario autorizada por la tarjeta agregada o eliminada sólo puede eliminar por deslizar la tarjeta.
- La alarma de manipulación es el sensor de luz, un fuerte cambio de luz hará que la alarma sonará, vuelva a la normalidad después de 2 minutos.
- Al usarlo por primera vez, por favor modifique la contraseña de apertura de puerta y la contraseña de programación
- Preste atención a la entrada o salida del modo de interfaz Wiegand, consulte la quinta configuración
- TXD y RXD de los dos control de acceso deben estar conectados cruzadamente para copiar los datos
- Cuando copie los datos, por favor distinga claramente la máquina principal y la subordinada, para evitar que se borrraría los datos de la máquina principal.

2. Análisis de fallas

La tarjeta deslizante no abre la puerta:

- Verifique si la tarjeta está registrada
- Compruebe si el cableado tiene algunos problemas
- Compruebe si el modo de control de acceso es correcto

No lea la tarjeta:

- Compruebe que el tipo de tarjeta sea correcto o que la tarjeta esté dañada.
- Compruebe si la tarjeta está demasiado cerca de la máquina al leer la tarjeta.

3. Consejos:

* Por favor, no repare personalmente la máquina; si tiene alguna pregunta, devuélvala al fabricante para su reparación.

* Antes de realizar la instalación en la pared, si desea perforar, compruebe cuidadosamente si hay una línea oscura o una tubería para evitar perforar líneas oscuras y otros problemas innecesarios. Use gafas de seguridad al perforar o asegurar las abrazaderas.

* Si se actualiza el producto, el manual cambiará sin previo aviso.

RF EXPOSICIÓN ENERGÉTICA Y GUÍA DE SEGURIDAD DE



ATENCIÓN!

Antes de usar esta radio, lea esta guía que contiene instrucciones de operaciones importantes para un uso seguro y control de la energía de RF y para cumplir con las normas y regulaciones.

Esta radio utiliza energía electromagnética en el espectro de radiofrecuencia (RF) para proporcionar comunicaciones entre dos o más usuarios en una distancia. La energía de RF, si se usa incorrectamente, puede causar daño biológico.

Todas las radios Reteless están diseñadas, fabricadas y probadas para garantizar que cumplan con los niveles de exposición a RF establecidos por el gobierno. Además, los fabricantes también recomiendan instrucciones de funcionamiento específicas para los usuarios de las radios. Estas instrucciones son importantes porque informan a los usuarios sobre la exposición a la energía de RF y proporcionan procedimientos simples sobre cómo controlarla.

Consulte los siguientes sitios web para obtener más información sobre qué es la exposición a la energía de RF y cómo controlar su exposición para garantizar el cumplimiento de los límites de exposición a RF establecidos: <http://www.who.int/en/>

Regulaciones del Gobierno Local

Cuando las radios se utilizan como consecuencia del empleo, las regulaciones del gobierno local requieren que los usuarios estén plenamente conscientes y sean capaces de controlar su exposición para cumplir con los requisitos ocupacionales. El conocimiento a la exposición puede facilitarse mediante el uso de una etiqueta del producto que indique a los usuarios información específica sobre el conocimiento del usuario. Su radio Reteless tiene una etiqueta de producto de exposición a RF. Además, su manual de usuario de Reteless o su folleto de seguridad incluye información e instrucciones de funcionamiento necesarios para controlar su exposición a RF y para cumplir con los requisitos de conformidad.

Licencia de Radio (Si corresponde)

Los Gobiernos mantienen las radios de manera clasificada, las radios comerciales pueden operar en frecuencias de radio que están reguladas por los departamentos de administración de radio locales (FCC, ISED, OFCOM, ANFR, BFTK, Bundesnetzagentur ...). Para transmitir en estas frecuencias, se requiere que tenga una licencia expedida por ellos. Para consultar la clasificación detallada y el uso de sus radios, comuníquese con los departamentos de administración de radio del Gobierno Local. El uso de esta radio fuera del país está sujeto a regulaciones gubernamentales y puede estar prohibido.

Modificación y ajustes no autorizados

Los cambios o modificaciones no aprobados expresamente por la parte responsable pueden anular la autoridad del usuario otorgada por los departamentos de administración de radio de Gobierno local para operar la radio y no deben realizarse. Para cumplir con los requisitos correspondientes, los ajustes del transmisor se deben hacer solo por o bajo la supervisión de una persona certificada como técnicamente calificada para realizar el mantenimiento y reparaciones en los servicios fijos y móviles terrestres privados, según lo certifique una Organización representativa del usuario de dichos servicios.

El reemplazo de cualquier componente del transmisor (cristal, semiconductor, etc.) no autorizado por el Gobierno local y por los departamentos de administración de esta radio podría violar las reglas.

Requisitos de la FCC:

•Este dispositivo cumple con la parte 15 de las Reglas de la FCC. La operación está sujeta a dos condiciones:

- (1) Este dispositivo no puede causar interferencias perjudiciales, y
- (2) Este dispositivo puede aceptar cualquier interferencia recibida, incluidas las interferencias que puedan causar un funcionamiento no deseado.

Este equipo ha sido probado y cumple con los límites para un dispositivo digital de Clase B, de conformidad con la Parte 15 de las Normas de la FCC.

Estos límites están diseñados para proporcionar una protección razonable contra interferencias perjudiciales en una instalación residencial.

El uso de este equipo puede generar y emitir energía de radiofrecuencia y, sino se instala y utiliza de acuerdo con las instrucciones, puede causar interferencias perjudiciales en las comunicaciones de radio. Sin embargo, no hay garantía de que no se produzcan interferencias en una instalación en particular. Si este equipo causa interferencias perjudiciales en la recepción de radio o televisión, lo cual puede determinarse encendiendo y apagando el equipo, se recomienda al usuario que intente corregir la interferencia tomando una o más de las siguientes medidas:

- Reorientar o reubicar la antena receptora.
- Aumente la separación entre el equipo y el receptor.
- Conecte el equipo a una toma de corriente en un circuito diferente al que está conectado el receptor.
- Consulte con el distribuidor o con un técnico de radio / TV experimentado para obtener ayuda.

Requisitos CE:

• (Declaración de conformidad de la UE) Henan Eshow Electronic Commerce Co., Ltd declara que el tipo de equipo de radio cumple con los requisitos esenciales y otras disposiciones relevantes de la Directiva RED 2014/53 / UE y la Directiva ROHS 2011/65 / UE y la Directiva WEEE 2012/19 / EU; El texto completo de la declaración de conformidad de la UE está disponible en la siguiente dirección de Internet: www.retekess.com.

•Disposición

El símbolo del contenedor con ruedas tachado en su product, documentación, o embalaje le recuerda que en la Unión Europea, todos los productos eléctricos y electrónicos, baterías y acumuladores (baterías recargables) deben llevarse a los lugares de recolección designados al final de su vida laboral.



No deseches estos productos como residuos municipales sin clasificar. Deséchelas de acuerdo con las leyes de su área.

Requisitos de IC:

Aparatos de radio exentos de licencia

Este dispositivo contiene transmisor(es) / receptor(es) exento(s) de licencia que cumplen con los RSS (s) exentos de licencia de Innovación, Ciencia y Desarrollo Económico de Canadá.

La operación está sujeta a las siguientes dos condiciones:

- (1) Este dispositivo no puede causar interferencias.
- (2) Este dispositivo debe aceptar cualquier interferencia, incluida la interferencia que pueda causar un funcionamiento no deseado del dispositivo.

El presente documento está de acuerdo con las normas CNR de la Industria de Canadá.

La explotación está autorizada por las siguientes condiciones:

- (1) l'appareil ne doit pas produire de brouillage;
- (2) l'utilisateur de l'appareil doit accepter tout brouillage radioélectrique subi, même si le brouillage est susceptible d'en compromettre le fonctionnement.

Información de exposición a RF

• NO opere la radio sin una antena adecuada conectada, ya que esto puede dañar la radio y también puede hacer que exceda los límites de exposición de RF. Una antena adecuada es la suministrada por el fabricante o una antena específicamente autorizada por el fabricante, y el uso de la antena no debe exceder el especificado por el fabricante.

• No transmita el uso de la radio por más del 50% del tiempo total, ya que puede causar que se excedan los requisitos de cumplimiento de exposición de RF

• Durante las transmisiones, su radio genera energía de RF que posiblemente pueda causar interferencia con otros dispositivos o sistemas. Para evitar dicha interferencia, apague la radio en las áreas donde se colocan letreros para hacerlo.

• El dispositivo cumple con las especificaciones de RF cuando se usa a 5 mm de su cuerpo. Los clips, fundas y accesorios similares de terceros utilizados por este dispositivo no deben contener componentes metálicos. Los accesorios usados en el cuerpo que no cumplan con estos requisitos pueden no cumplir con los requisitos de exposición a RF y deben evitarse.

• NO opere el transmisor en áreas que sean sensibles a la radiación electromagnética, como hospitales, aeronaves y sitios de voladuras.

Evitar el peligro de asfixia



Contiene pequeñas partes. No apto para

Protege tu audición



ADVERTENCIA

- Use el volumen más bajo necesario para hacer su trabajo.
- Suba el volumen solo si se encuentra en entornos ruidosos.
- Baje el volumen antes de agregar los auriculares o el auricular.
- Limite la cantidad de tiempo que usa los auriculares con un volumen alto.
- Cuando utilice la radio sin auriculares, no coloque el altavoz de la radio directamente contra su oído.
- Tenga cuidado con el auricular, tal vez la presión excesiva del sonido de los auriculares puede causar pérdida de audición



Nota: la exposición a ruidos fuertes de cualquier fuente durante largos períodos de tiempo puede afectar su audición de forma temporal o permanente. Cuanto más alto sea el volumen de la radio, menos tiempo se requiere para que su audición se vea afectada. El daño auditivo debido a ruidos fuertes a veces no es detectable al principio y puede tener un efecto acumulativo.

Evitar quemaduras



ADVERTENCIA

Las antenas

• No use ninguna radio portátil que tenga una antena dañada. Si una antena dañada entra en contacto con la piel cuando la radio está en uso, se puede producir una pequeña quemadura.

Baterías (si es el caso)

• Cuando el material conductor, como joyas, llaves o cadenas, toque los terminales expuestos de las baterías, puede completar un circuito eléctrico (cortocircuitar la batería) y calentarse para provocar lesiones corporales, como quemaduras. Tenga cuidado al manipular cualquier batería, especialmente cuando la coloque dentro de un bolsillo, bolso u otro recipiente con objetos metálicos

Transmisión larga

• Cuando el receptor se usa para transmisiones largas, el radiador y el chasis se pueden calentar.

Operación de seguridad



ADVERTENCIA

Prohibido

- No use el cargador al aire libre o en ambientes húmedos, use solo en lugares / condiciones secos.
- No desarme el cargador, ya que podría provocar un incendio o una descarga eléctrica.
- No opere el cargador si está roto o dañado de alguna manera.
- No coloque una radio portátil en el área sobre una bolsa de aire o en el área de despliegue de la bolsa de aire. La radio puede ser propulsada con gran fuerza y causar lesiones graves.

Para reducir el riesgo

- Tire del enchufe en lugar del cable cuando desconecte el cargador.
- Desenchufe el cargador de la toma de CA antes de intentar cualquier mantenimiento o limpieza.
- Póngase en contacto con ReteKess para obtener ayuda con las reparaciones y el servicio.
- El adaptador debe instalarse cerca del equipo y debe ser fácilmente accesible.
- Riesgo de explosión si la batería se reemplaza por un tipo incorrecto. Deseche las baterías usadas de acuerdo con las instrucciones.
- El adaptador debe instalarse cerca del equipo y debe ser fácilmente accesible.
- El enchufe considerado como dispositivo de desconexión del adaptador.
- La temperatura de funcionamiento del EUT no puede exceder el rango especificado.

Accesorios aprobados



ADVERTENCIA

- Esta radio cumple con las pautas de exposición a RF cuando se utiliza con los accesorios ReteKess suministrados o designados para el producto. El uso de otros accesorios puede no garantizar el cumplimiento de las pautas de exposición a RF y puede infringir las regulaciones.
- Para obtener una lista de los accesorios aprobados por ReteKess para su modelo de radio, visite el siguiente sitio web: <http://www.Retekess.com>

EU Importer:Germany Retevis Technology GmbH
Address:Uetzenacker 29,38176wendeburg

Guarantee

Model Number: _____

Serial Number: _____

Purchasing Date: _____

Dealer: _____ Telephone: _____

User's Name: _____ Telephone: _____

Country: _____ Address: _____

Post Code: _____ Email: _____

Remarks:

1. This guarantee card should be kept by the user, no replacement if lost.

2. Most new products carry a two-year manufacturer's warranty from the date of purchase.

3. The user can get warranty and after-sales service as below:

- Contact the seller where you buy.

- Products Repaired by Our Local Repair Center

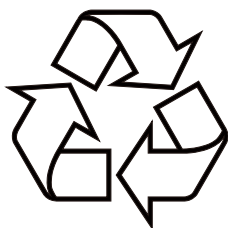
4. For warranty service, you will need to provide a receipt proof of purchase from the actual seller for verification

Exclusions from Warranty Coverage:

1. To any product damaged by accident.

2. In the event of misuse or abuse of the product or as a result of unauthorized alterations or repairs.

3. If the serial number has been altered, defaced, or removed.



CE FC RoHS



Henan Eshow Electronic Commerce Co., Ltd

Add: 7/F, Sanjiang Building, No.170 Nanyang Road, Huiji District,
Zhengzhou, Henan, China

Facebook: [facebook.com/Retekess.ru](https://www.facebook.com/Retekess.ru)

E-mail: support@retekess.com.ru

Web: retekess.com.ru



MADE IN CHINA