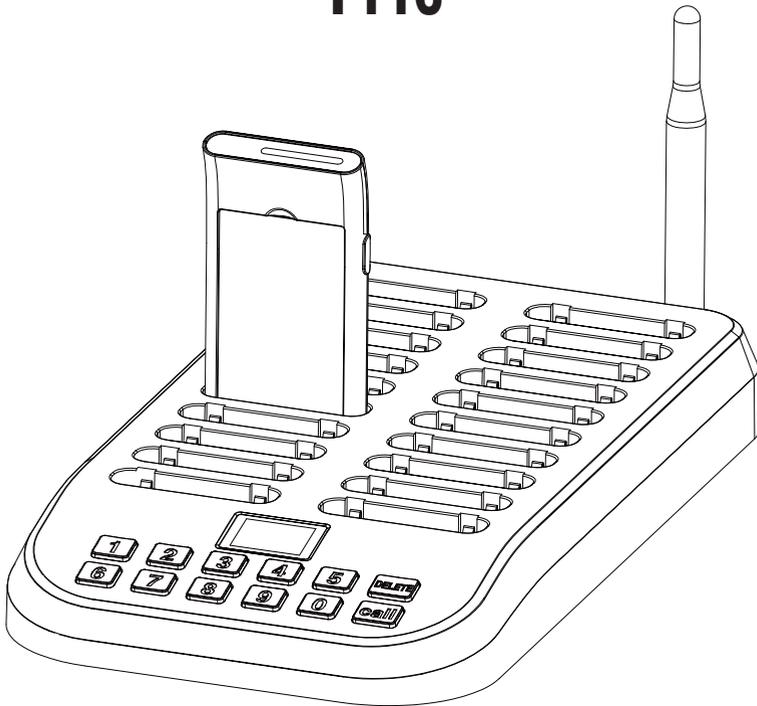


Retekess

Queue Wireless Calling System User Manual

T116



EU Importer

Name: Germany Retevis Technology GmbH

Address: Uetzenacker 29,38176 wendeburg

Retekess T116

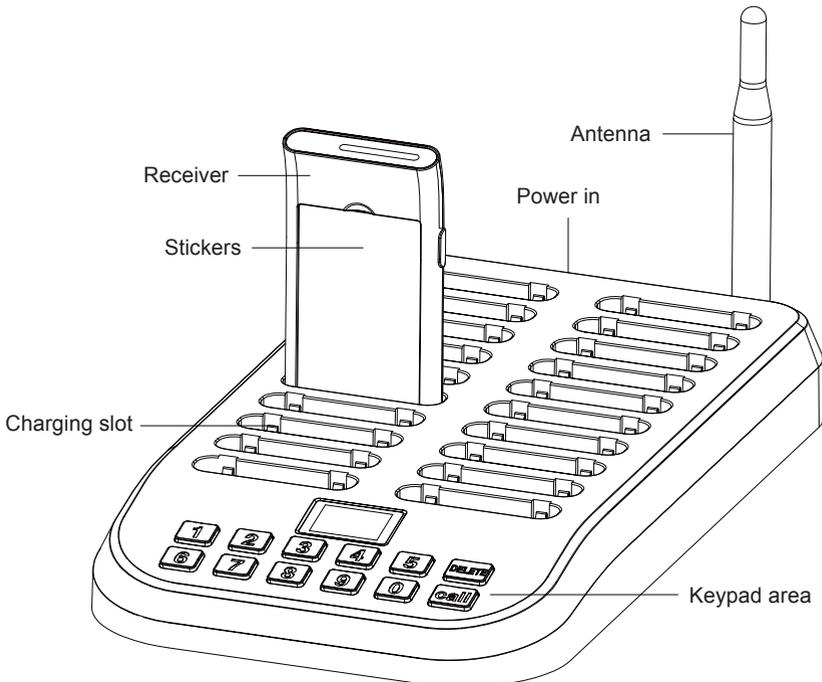
Queue Wireless Calling System User Manual

Product introduction

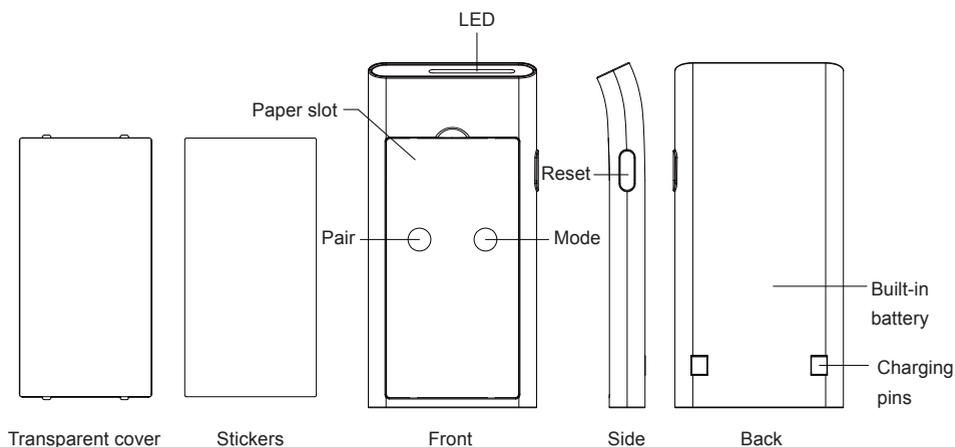
Thanks for using our company's wireless calling system, it adopts RF wireless technology with millions of different learning codes. The system consists of 1 call button keypad and 20 portable receivers, the receiving pager supports 999-channel extensions, the call button keypad has 20 battery charging slots. Each receiver is rechargeable and labeled with a number, in standby status, it is plugged into the charging slots, while the guest places an order, he/she will be dispatched one receiver with a number, when the order is ready, the waiter will press the keypad to call the number, the guest will get it through the buzzer/vibration/LED indications.

The queue system greatly improves the work efficiency and avoid the guest waiting in a long queue. It is widely used in fast food restaurant, church, dessert shop, auto 4S shop, food truck or other queue occasions.

The diagram of the call button keypad



The diagram of the receiver



Technical data

Receiver	
Working voltage	DC 3.7V (Rechargeable battery)
Charging voltage	DC 5V
Working frequency	433.92MHz
Standby current	10±5mA
Working current	100±20mA (Max.)
Receive sensitivity	-107±2dBm
Battery capacity	300mAh
Decoder	Learning code (AM)
Dimmension	104*50*8mm
Keypad call button	
Working voltage	DC 12V/2A
Working frequency	433.92MHz
Standby current	24±5mA
Transmit current	35±5mA
Encoder	Learning code (AM)
Dimmension	280*158*34mm

Operation instruction

1. Open the package, connect the call button keypad to power, it executes the self-testing procedure, then power icon turns on.
2. When guest places an order, the service people give one receiver to him(her) and note down the number.
3. While the order is ready, the waiter press keypad to call the guest (number), the corresponding receiver gets the information and prompts vibration/buzzer/light for 5 min, remind the guest to complete the order.
4. At last, the guest returns the pager to the waiter and the service is completed.

Function Description

1. The keypad call button is connected to the power supply through the power adapter, host digital screen display "000", the pager is inserted into the charging slot of the host, the pager is opened and charged, and the red light of the pager indicator is often lit.
2. After the charge of the pager is full, the indicator light is shown to be a green light.
3. After the pager is taken out, the pager enters the waiting call state, indicating that the light blue light flashes once every 3 sec.
4. When the host is called, the pager receives the call information. It flashes every 0.3 sec by vibrant, buzzing and blue lights for reminding.
5. The pager reminding time is 30 sec, can short press the side button of the pager to close the reminder, or insert the host charging slot to close the reminder.
6. The pager in the charging process, when the host call, the light blue light of reception indicator flashes every 0.3 sec for a reminder.
7. When the power of the pager is low, the red light of the indicator is flicker once every 1sec.
8. When the pager is inserted into the host charging slot, press 999 on the keypad call button and then press the call key, the pager in all the charging slots can be turned off.

Pairing method

1. Pairing - The pager is in standby state, short press the "Set" button, the blue indicator light of the receiving pager is always bright, then press the call number on the keypad, the pager gets the signal and blue lamp turns off and accompanied by buzz and vibration reminding, which represents the success of the code.
2. Deleting - The pager is in standby state, press and holds on the "Set" button for 3 sec, the receiving indicator light goes from blue to extinguish, then release the button, all the paired call buttons will be deleted.

Reminder mode switching

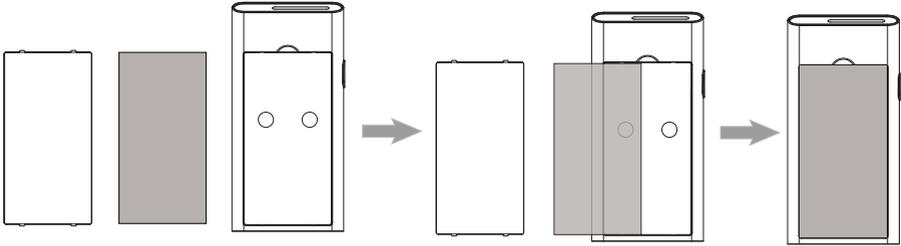
The receiving pager is in the standby state, short press the mode button on the pager, change the reminder mode. There are five kinds of modes, the default is the vibration, the buzzing, and the LED lights, the other four are Vibration and buzz; Vibration; Vibration plus light; Beep and lamplight.

Five mode cycle switching, when switching to the corresponding mode, the receiving card shall remind the time 5 sec according to the corresponding reminder mode.

Change Stickers

Take out the transparent plexiglass cover in the front of the pager, then put a Sticker inside the paper slot, and then put back the cover.

Note: While doing the pairing operation, take out the cover and paper firstly.



FAQ

Problems	Reasons	Solutions
While power on, the number display on keypad is not on.	The power adaptor is broken.	Change the power adaptor.
The distance of some pager gets near.	The power of battery is low.	Charge the battery in time.
Pager cannot get any signal from keypad call button.	The pairing is deleted; The number is not correct.	Pair the pager again to the keypad.
Forget the number of pager.		Delete the pairing first, then pair it again.

Packing List

Name	Quantity
Call button keypad	1 pc
pager	20 pcs
Power adaptor	1 pc
User manual	1 pc
Warranty card	1 pc

Precautions

RF ENERGY EXPOSURE AND PRODUCT SAFETY GUIDE



Before using this radio, read this guide which contains important operating instructions for safe usage and RF energy awareness and control for compliance with applicable standards and regulations.

This radio uses electromagnetic energy in the radio frequency (RF) spectrum to provide communications between two or more users over a distance. RF energy, which when used improperly, can cause biological damage.

All Reteless radios are designed, manufactured, and tested to ensure they meet government-established RF exposure levels. In addition, manufacturers also recommend specific operating instructions to users of the radios. These instructions are important because they inform users about RF energy exposure and provide simple procedures on how to control it.

Please refer to the following websites for more information on what RF energy exposure is and how to control your exposure to assure compliance with established RF exposure limits: <http://www.who.int/en/>

Local Government Regulations

When radios are used as a consequence of employment, the Local Government Regulations requires users to be fully aware of and able to control their exposure to meet occupational requirements. Exposure awareness can be facilitated by the use of a product label directing users to specific user awareness information. Your Reteless radio has a RF Exposure Product Label. Also, your Reteless user manual, or separate safety booklet includes information and operating instructions required to control your RF exposure and to satisfy compliance requirements.

Radio License (if appropriate)

Governments keep the radios in classification, business radios operate on radio frequencies that are regulated by the local radio management departments (FCC, ISED, OFCOM, ANFR, BFTK, Bundesnetzagentur...). To transmit on these frequencies, you are required to have a license issued by them. The detailed classification and the use of your radios, please contact the local government radio management departments.

Use of this radio outside the country where it was intended to be distributed is subject to government regulations and may be prohibited.

Unauthorized modification and adjustment

Changes or modifications not expressly approved by the party responsible for compliance may void the user's authority granted by the local government radio management departments to operate this radio and should not be made. To comply with the corresponding requirements, transmitter adjustments should be made only by or under the supervision of a person certified as technically qualified to perform transmitter maintenance and repairs in the private land mobile and fixed services as certified by an organization representative of the user of those services.

Replacement of any transmitter component (crystal, semiconductor, etc.) not authorized by the local government radio management departments equipment authorization for this radio could violate the rules.

FCC Requirements:

- This device complies with part 15 of the FCC Rules. Operation is subject to the following two conditions:
 - 1) This device may not cause harmful interference, and
 - 2) this device must accept any interference received, including interference that may cause undesired operation.
- This equipment has been tested and found to comply with the limits for a Class B digital device, pursuant to Part 15 of the FCC Rules. These limits are designed to provide reasonable protection against harmful interference in a residential installation.

This equipment generates uses and can radiate radio frequency energy and, if not installed and used in accordance with the instructions, may cause harmful interference to radio communications. However, there is no guarantee that interference will not occur in a particular installation. If this equipment does cause harmful interference to radio or television reception, which can be determined by turning

Precautions

the equipment off and on, the user is encouraged to try to correct the interference by one or more of the following measures:

- Reorient or relocate the receiving antenna.
- Increase the separation between the equipment and receiver.
- Connect the equipment into an outlet on a circuit different from that to which the receiver is connected.
- Consult the dealer or an experienced radio/TV technician for help.

CE Requirements:

- (Simple EU declaration of conformity) Henan Eshow Electronic Commerce Co.,Ltd declares that the radio equipment type is in compliance with the essential requirements and other relevant provisions of RED Directive 2014/53/EU and the ROHS Directive 2011/65/EU and the WEEE Directive 2012/19/EU; the full text of the EU declaration of conformity is available at the following internet address: www.retekess.com.

- Disposal

The crossed-out wheeled-bin symbol on your product, literature, or packaging reminds you that in the European Union, all electrical and electronic products, batteries, and accumulators (rechargeable batteries) must be taken to designated collection locations at the end of their working life. Do not dispose of these products as unsorted municipal waste. Dispose of them according to the laws in your area.



IC Requirements:

Licence-exempt radio apparatus

This device contains licence-exempt transmitter(s)/receiver(s) that comply with Innovation, Science and Economic Development Canada's licence-exempt RSS(s). Operation is subject to the following two conditions:

- 1) This device may not cause interference.
- 2) This device must accept any interference, including interference that may cause undesired operation of the device.

Le présent appareil est conforme aux CNR d'Industrie Canada applicables aux appareils radio exempts de licence. L'exploitation est autorisée aux deux conditions suivantes :

- 1) l'appareil ne doit pas produire de brouillage;
- 2) l'utilisateur de l'appareil doit accepter tout brouillage radioélectrique subi, même si le brouillage est susceptible d'en compromettre le fonctionnement.

RF Exposure Information

- DO NOT operate the radio without a proper antenna attached, as this may damage the radio and may also cause you to exceed RF exposure limits. A proper antenna is the antenna supplied with this radio by the manufacturer or an antenna specifically authorized by the manufacturer for use with this radio, and the antenna gain shall not exceed the specified gain by the manufacturer declared.
- DO NOT transmit for more than 50% of total radio use time, more than 50% of the time can cause RF exposure compliance requirements to be exceeded.
- During transmissions, your radio generates RF energy that can possibly cause interference with other devices or systems. To avoid such interference, turn off the radio in areas where signs are posted to do so.
- The device complies with RF specifications when the device used at 5mm from your body. Third-party belt-clips, holsters, and similar accessories used by this device should not contain any metallic components. Body-worn accessories that do not meet these requirements may not comply with RF exposure requirements and should be avoided.
- DO NOT operate the transmitter in areas that are sensitive to electromagnetic radiation such as hospitals, aircraft, and blasting sites.

Avoid Choking Hazard



Small Parts. Not for children under 3 years.

Precautions

Protect your hearing:



WARNING

- Use the lowest volume necessary to do your job.
- Turn up the volume only if you are in noisy surroundings.
- Turn down the volume before adding headset or earpiece.
- Limit the amount of time you use headsets or earpieces at high volume.
- When using the radio without a headset or earpiece, do not place the radio's speaker directly against your ear
- Use careful with the earphone maybe possible excessive sound pressure from earphones and headphones can cause hearing loss.



Note: Exposure to loud noises from any source for extended periods of time may temporarily or permanently affect your hearing. The louder the radio's volume, the less time is required before your hearing could be affected. Hearing damage from loud noise is sometimes undetectable at first and can have a cumulative effect.

Avoid Burns



WARNING

Antennas

- Do not use any portable radio that has a damaged antenna. If a damaged antenna comes into contact with the skin when the radio is in use, a minor burn can result.

Batteries (If appropriate)

- When the conductive material such as jewelry, keys or chains touch exposed terminals of the batteries, may complete an electrical circuit (short circuit the battery) and become hot to cause bodily injury such as burns. Exercise care in handling any battery, particularly when placing it inside a pocket, purse or other container with metal objects

Long transmission

- When the transceiver is used for long transmissions, the radiator and chassis will become hot.

Safety Operation



WARNING

Forbid

- Do not use charger outdoors or in moist environments, use only in dry locations/ conditions.
- Do not disassemble the charger, that may result in risk of electrical shock or fire.
- Do not operate the charger if it has been broken or damaged in any way.
- Do not place a portable radio in the area over an air bag or in the air bag deployment area. The radio may be propelled with great force and cause serious injury to occupants of the vehicle when the air bag inflates.

To reduce risk

- Pull by the plug rather than the cord when disconnecting the charger.
- Unplug the charger from the AC outlet before attempting any maintenance or cleaning.
- Contact Reteless for assistance regarding repairs and service.
- The adapter shall be installed near the equipment and shall be easily accessible
- Risk of explosion if battery is replaced by an incorrect type. Dispose of used batteries according to the instructions.
- Adapter shall be installed near the equipment and shall be easily accessible.
- The plug considered as disconnect device of adapter.
- The operating temperature of the EUT can't exceed the specified range.

Approved Accessories



WARNING

- This radio meets the RF exposure guidelines when used with the Reteless accessories supplied or designated for the product. Use of other accessories may not ensure compliance with the RF exposure guidelines and may violate regulations.
- For a list of Reteless-approved accessories for your radio model, visit the following website: <http://www.Reteless.com>.