

Thank you for purchasing Reteless TR614 3 band radio. Please read the manual thoroughly before operating and keep it in a safe place for future reference.

### Precautions

1. Please remove the battery when the radio is not to be used for a long time, store it separately, and remember to charge it once a month
2. Do not use this product near water and moisture, for example: near a bathtub, washbowl, kitchen sink or laundry tub; in a wet basement; or near a swimming pool.
3. Do not use the radio near any heat sources such as radiators, heat registers, stoves, or other apparatus (including amplifiers) that produce heat.
4. Do not put the product on a bed, sofa, rug, or other similar surfaces to prevent the vents from being blocked.
5. Do not spill or spray any type of liquid on the product. Do not allow any solid or liquid enter the radio from the vents.
6. Do not disassemble, repair, remodel or drop the radio arbitrarily.
7. Do not expose the battery to excessive heat environments (such as direct sunlight, open flames or similar environments)

### Location of parts and controls

1. Telescopic Antenna
2. Tuning Knob
3. Hand Strap Hole
4. Frequency Indicator
5. Band Selection
6. FM Indicator
7. MW Indicator
8. SW Indicator
9. Volume/Power on/off Button
10. Headphone Jack
11. DC 5V Power Port
12. Charging Indicator
13. Battery Compartment

### Power Supply

Operating on battery: Slide and open the battery compartment lid (13). Insert the battery with correct polarity in the battery compartment. Close the battery compartment lid.  
Charging: You need to charge the battery when the radio is in low battery. Using the USB cable that included in the package, connect the AC power adaptor securely to the DC 5V jack to start charging, the Charging Indicator (12) in Red color while charging, and it turn green after the battery is fully charged.

### NOTE:

1. Improper replacement of the battery will cause explosion hazard. Only the same type or equivalent type can be used.
2. Do not bend or twist the power cord forcibly. Do not place heavy objects on the power cord.
3. Always hold the plug when disconnecting the power cord. Do not pull the cord itself.
4. Disconnect the AC power adaptor from the wall outlet and radio when the unit is not to be used for a long period of time.

### Operations

1. Slide the Power on/off button (9) to ON position to turn on the radio
2. Slide the Band button (5) to FM, MW or SW band position as desired
3. Tuning the Tuning knob (2) to select desired station.
4. Slide the Volume Control Knob (9) to adjust volume level as desired.

### To improve reception

#### FM reception

Extend the telescopic antenna (1), and adjust the direction and angle.

#### MW reception

Retract the telescopic antenna and rotate the unit to reorient the built-in ferrite bar antenna

#### SW reception

Fully extend the telescopic antenna vertically.

For SW reception, you can enjoy even better reception by using an external antenna

### Specifications

Power input: 5V=0.6A  
Rated power: 3W  
Lithium battery: 3.7V  
Frequency: FM: 88-108MH  
MW: 530-1600KHz  
SW: 8.0-18.0MHz  
Antenna: FM/SW: telescopic antenna  
MW: built-in ferrite bar antenna  
Speaker: 100mm, 6Ω  
The maximum power without distortion: 1W  
Maximum power consumption: 3W  
Size: 202 x 125 x 50mm  
Weight: 375.8g (without battery)  
Include accessories: User manual, Rechargeble lithium battery, USB cable, Hand strap.

### RF ENERGY EXPOSURE AND PRODUCT SAFETY GUIDE



Before using this radio, read this guide which contains important operating instructions for safe usage and RF energy awareness and control for compliance with applicable standards and regulations.

### Local Government Regulations

When radios are used as a consequence of employment, the Local Government Regulations requires users to be fully aware of and able to control their exposure to meet occupational requirements. Exposure awareness can be facilitated by the use of a product label directing users to specific user awareness information. Your Reteless radio has a RF Exposure Product Label. Also, your Reteless user manual, or separate safety booklet includes information and operating instructions required to control your RF exposure and to satisfy compliance requirements.

### Unauthorized modification and adjustment

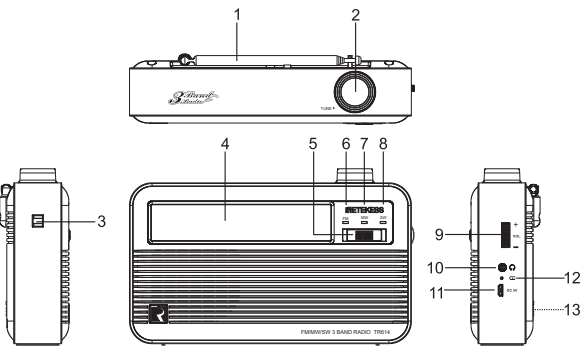
Changes or modifications not expressly approved by the party responsible for compliance may void the user's authority granted by the local government radio management departments to operate this radio and should not be made. To comply with the corresponding requirements, transmitter adjustments should be made only by or under the supervision of a person certified as technically qualified to perform transmitter maintenance and repairs in the private land mobile and fixed services as certified by an organization representative of the user of those services. Replacement of any transmitter component (crystal, semiconductor, etc.) not authorized by the local government radio management departments equipment authorization for this radio could violate the rules.

### FCC Requirements:

- This device complies with part 15 of the FCC Rules. Operation is subject to the following two conditions:  
(1) This device may not cause harmful interference, and  
(2) this device must accept any interference received, including interference that may cause undesired operation.
- This equipment has been tested and found to comply with the limits for a Class B digital device, pursuant to Part 15 of the FCC Rules. These limits are designed to provide reasonable protection against harmful interference in a residential installation. This equipment generates uses and can radiate radio frequency energy and, if not installed and used in accordance with the instructions, may cause harmful interference to radio communications. However, there is no guarantee that interference will not occur in a particular installation. If this equipment does cause harmful interference to radio or television reception, which can be determined by turning the equipment off and on, the user is encouraged to try to correct the interference by one or more of the following measures:  
- Reorient or relocate the receiving antenna.  
- Increase the separation between the equipment and receiver.  
- Connect the equipment into an outlet on a circuit different from that to which the receiver is connected.  
- Consult the dealer or an experienced radio/TV technician for help.

### CE Requirements:

- (Simple EU declaration of conformity) Henan Eshow Electronic Commerce Co.,Ltd declares



**Henan Eshow Electronic Commerce Co., Ltd**  
Add: 7/F, Sanjiang Building, No.170 Nanyang Road,  
Huji District, Zhengzhou, Henan, China  
Facebook: facebook.com/Retekess.ru  
E-mail: support@reteless.com.ru  
Web: reteless.com.ru



Model Number: \_\_\_\_\_

Serial Number: \_\_\_\_\_

Purchasing Date: \_\_\_\_\_

Dealer: \_\_\_\_\_

Telephone: \_\_\_\_\_

User's Name: \_\_\_\_\_

Telephone: \_\_\_\_\_

Country: \_\_\_\_\_

Address: \_\_\_\_\_

\_\_\_\_\_

Post Code: \_\_\_\_\_ Email: \_\_\_\_\_

**Remarks**

- This guarantee card should be kept by the user, no replacement if lost.
- Most new products carry a two-year manufacturer's warranty from the date of purchase.
- The user can get warranty and after-sales service as below:
  - Contact the seller where you buy.
  - Products Repaired by Our Local Repair Center
- For warranty service, you will need to provide a receipt proof of purchase from the actual seller for verification.

**Exclusions from Warranty Coverage:**

- To any product damaged by accident.
- In the event of misuse or abuse of the product or as a result of unauthorized alterations or repairs.
- If the serial number has been altered, defaced, or removed.

that the radio equipment type is in compliance with the essential requirements and other relevant provisions of RED Directive 2014/53/EU and the ROHS Directive 2011/65/EU and the WEEE Directive 2012/19/EU; the full text of the EU declaration of conformity is available at the following internet address: [www.retekess.com](http://www.retekess.com).

**Disposal**

The crossed-out wheeled-bin symbol on your product, literature, or packaging reminds you that in the European Union, all electrical and electronic products, batteries, and accumulators (rechargeable batteries) must be taken to designated collection locations at the end of their working life. Do not dispose of these products as unsorted municipal waste. Dispose of them according to the laws in your area.



**IC Requirements:**

Licence-exempt radio apparatus

This device contains licence-exempt transmitter(s)/receiver(s) that comply with Innovation, Science and Economic Development Canada's licence-exempt RSS(s). Operation is subject to the following two conditions:

- (1) This device must not cause interference.
- (2) This device must accept any interference, including interference that may cause undesired operation of the device.

Le présent appareil est conforme aux CNR d'Industrie Canada applicables aux appareils radio exempts de licence. L'exploitation est autorisée aux deux conditions suivantes :

- (1) l'appareil ne doit pas produire de brouillage;
- (2) l'utilisateur de l'appareil doit accepter tout brouillage radioélectrique subi, même si le brouillage est susceptible d'en compromettre le fonctionnement.

**RF Warning Statements**

The device has been evaluated to meet general RF exposure requirement. The device can be used in portable exposure condition without restriction.

**RF Exposure Information**

- DO NOT operate the radio without a proper antenna attached, as this may damage the radio and may also cause you to exceed RF exposure limits. A proper antenna is the antenna supplied with this radio by the manufacturer or an antenna specifically authorized by the manufacturer for use with this radio, and the antenna gain shall not exceed the specified gain by the manufacturer declared.
- To avoid interference, turn off the radio in areas where signs are posted to do so.
- DO NOT operate the transmitter in areas that are sensitive to electromagnetic radiation such as hospitals, aircraft, and blasting sites.

**Avoid Choking Hazard**



Small Parts. Not for children under 3 years.

**Protect your hearing:**

- Use the lowest volume necessary to do your job.
- Turn up the volume only if you are in noisy surroundings.
- Turn down the volume before adding headset or earpiece.
- Limit the amount of time you use headsets or earpieces at high volume.



WARNING

- When using the radio without a headset or earpiece, do not place the radio's speaker directly against your ear
- Use careful with the earphone maybe possible excessive sound pressure from earphones and headphones can cause hearing loss



Note: Exposure to loud noises from any source for extended periods of time may temporarily or permanently affect your hearing. The louder the radio's volume, the less time is required before your hearing could be affected. Hearing damage from loud noise is sometimes undetectable at first and can have a cumulative effect.

**Approved Accessories**



WARNING

- This radio meets the RF exposure guidelines when used with the Retekeess accessories supplied or designated for the product. Use of other accessories may not ensure compliance with the RF exposure guidelines and may violate regulations.
- For a list of Retekeess-approved accessories for your radio model, visit the following website: <http://www.Retekess.com>

EU Importer:  
 Name: Germany Retevis Technology GmbH  
 Address: Uetzenacker 29,38176 wendeburg