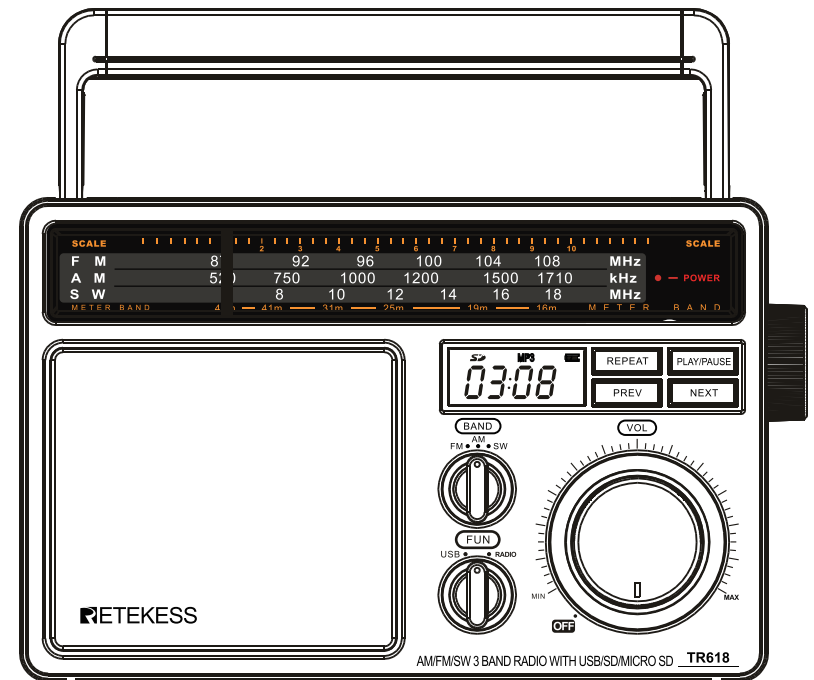
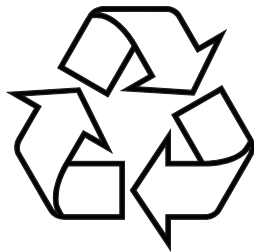


# RETEKESS

## TR618 User Manual



CE FC RoHS



Henan Eshow Electronic Commerce Co., Ltd

Add: 7/F, Sanjiang Building, No.170 Nanyang Road, Huiji District,  
Zhengzhou, Henan, China

EU Importer: Germany Retevis Technology GmbH

Address: Uetzenacker 29, 38176 Wendeburg

Facebook: facebook.com/Retekess.ru

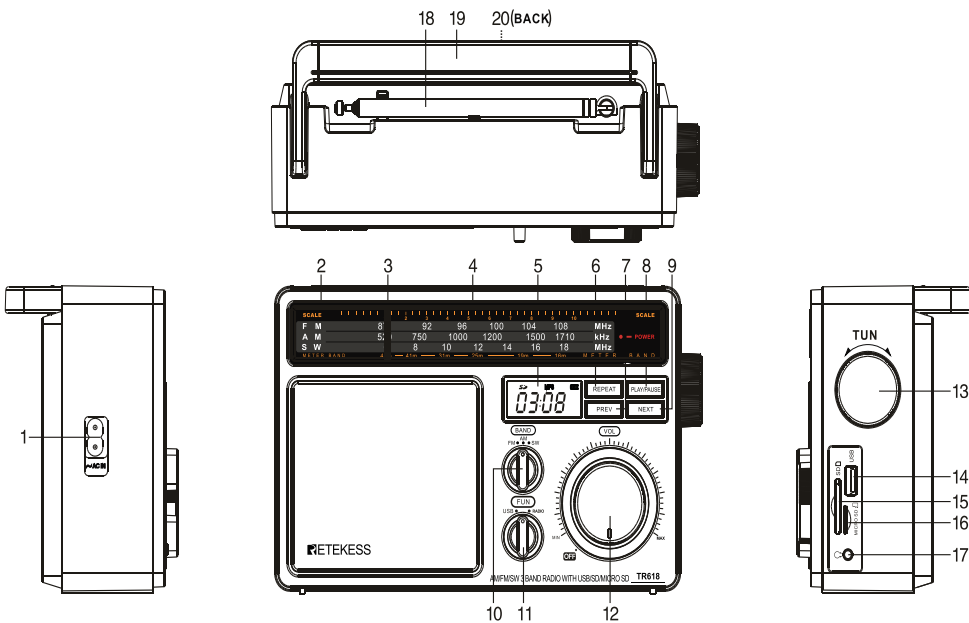
E-mail: support@rettekess.com.ru

Web: rettekess.com.ru



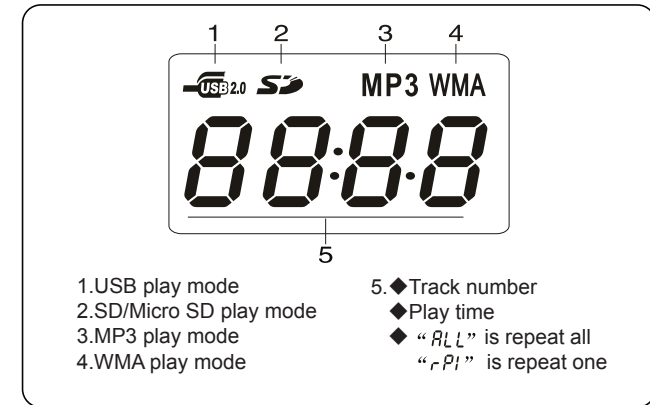
MADE IN CHINA

## PARTS INTRODUCTION



- |                      |                         |
|----------------------|-------------------------|
| 1.AC Socket          | 11.Function switch      |
| 2.Power indicator    | 12.Volume&power on/off  |
| 3.Dial pointer       | 13.Tunning knob         |
| 4.Dial lens          | 14.USB port             |
| 5.LCD display        | 15.SD card slot         |
| 6.Repeat(one or all) | 16.Micro SD card slot   |
| 7.Previous           | 17.Earphone jack        |
| 8.Play/pause         | 18.FM antenna           |
| 9.Next               | 19.Handle               |
| 10.Band switch       | 20.Battery compartm ent |

## LCD DISPLAY



## RADIO OPERATION

- 1.Turn the Volume&power on/off knob (12) to “on” to make unit switch on.
- 2.Set the function switch ( 11) to radio.
- 3.Set the band with band switch (10).
- 4.Turn to a station with turning knob(13).
- 5.Adjust the volume control knob (12) to your desired level.
- 6.For AM better reception ,please turn the unitto the position that sounds best because internal antenna is used .For FM ,extend the whip antenna and place in the position that sounds best.

## USB/SD/MICRO SD PLAYBACK

- 1.Turn the Volume&power on/off knob (12) to “on” to make unit switch on.
- 2.Set function switch ( 11) to USB.
- 3.Plug in USB disk/SD card or Micro SD card into USB port (14)/SD card slot (15) or Micro SD card slot (16) for MP3 or MWA playback.
- 4.Adjust the volume control knob (12) to your desired level.
- 5.Turn to next (9) or previous (7) to the track you want.
- 6.Press repeat button (6)for one or all repeat.
- 7.To pause MP3/WMA playback by press play/pause(8),and resume playback by second press this button.


## MAINTENANCE

- 1.Please put the machine in the place where is well ventilated,don't use it in high temperature environmentor humid environment,when maintenance, please clean the machine with soft cloth,but don't use any lubricant, alcohol etc volatileliquid.
- 2.The machinery parts of this machine have been fully lubricated before delivery by factory

## Tech Specifications

Voltage	AC:110V 60Hz or AC:220 50Hz DC:4.5V(UM-1×3)
Frequency Range	AM:520-1710KHZ FM:87-108MHKZ SW:6-18MHZ
Antenna	AM: inner magnetic rod antenna FM/SW:Rod antenna
Speaker	3.5 inch,6Ω
Max no-distortion output	1.3W
Max consume power	3W
Dimensions	212X137X64 MM
Weight	About 0.87kg (Batteries are not include)
Accessories	AC power cord

## RF ENERGY EXPOSURE AND PRODUCT SAFETY GUIDE

 <b>ATTENTION!</b>	<p>Before using this radio, read this guide which contains important operating instructions for safe usage and RF energy awareness and control for compliance with applicable standards and regulations.</p>
---	--

### Local Government Regulations

When radios are used as a consequence of employment, the Local Government Regulations requires users to be fully aware of and able to control their exposure to meet occupational requirements. Exposure awareness can be facilitated by the use of a product label directing users to specific user awareness information. Your Reteless radio has a RF Exposure Product Label. Also, your Reteless user manual, or separate safety booklet includes information and operating instructions required to control your RF exposure and to satisfy compliance requirements.

### Unauthorized modification and adjustment

Changes or modifications not expressly approved by the party responsible for compliance may void the user's authority granted by the local government radio management departments to operate this radio and should not be made. To comply with the corresponding requirements, transmitter adjustments

should be made only by or under the supervision of a person certified as technically qualified to perform transmitter maintenance and repairs in the private land mobile and fixed services as certified by an organization representative of the user of those services.

Replacement of any transmitter component (crystal, semiconductor, etc.) not authorized by the local government radio management departments equipment authorization for this radio could violate the rules.

### FCC Requirements:

•This device complies with part 15 of the FCC Rules. Operation is subject to the following two conditions:

- (1) This device may not cause harmful interference, and
- (2) this device must accept any interference received, including interference that may cause undesired operation.

•This equipment has been tested and found to comply with the limits for a Class B digital device, pursuant to Part 15 of the FCC Rules. These limits are designed to provide reasonable protection against harmful interference in a residential installation.

This equipment generates uses and can radiate radio frequency energy and, if not installed and used in accordance with the instructions, may cause harmful interference to radio communications. However, there is no guarantee that interference will not occur in a particular installation. If this equipment does cause harmful interference to radio or television reception, which can be determined by turning the equipment off and on, the user is encouraged to try to correct the interference by one or more of the following measures:

- Reorient or relocate the receiving antenna.
- Increase the separation between the equipment and receiver.
- Connect the equipment into an outlet on a circuit different from that to which the receiver is connected.
- Consult the dealer or an experienced radio/TV technician for help.

### CE Requirements:

•(Simple EU declaration of conformity) Henan Eshow Electronic Commerce Co.,Ltd declares that the radio equipment type is in compliance with the essential requirements and other relevant provisions of RED Directive 2014/53/EU and the ROHS Directive 2011/65/EU and the WEEE Directive 2012/19/EU; the full text of the EU declaration of conformity is available at the following internet address: [www.retekess.com](http://www.retekess.com).

•Disposal

The crossed-out wheeled-bin symbol on your product, literature, or packaging reminds you that in the European Union, all electrical and electronic products, batteries, and accumulators (rechargeable batteries) must be taken to designated collection locations at the end of their working life. Do not dispose of these products as unsorted municipal waste. Dispose of them according to

the laws in your area.

### IC Requirements:

Licence-exempt radio apparatus

This device contains licence-exempt transmitter(s)/receiver(s) that comply with Innovation, Science and Economic Development Canada's licence-exempt RSS(s). Operation is subject to the following two conditions:

- (1) This device may not cause interference.
- (2) This device must accept any interference, including interference that may cause undesired operation of the device.

Le présent appareil est conforme aux CNR d'Industrie Canada applicables aux appareils radio exempts de licence. L'exploitation est autorisée aux deux conditions suivantes :

- (1) l'appareil ne doit pas produire de brouillage;
- (2) l'utilisateur de l'appareil doit accepter tout brouillage radioélectrique subi, même si le brouillage est susceptible d'en compromettre le fonctionnement.

### RF Warning Statements

The device has been evaluated to meet general RF exposure requirement. The device can be used in portable exposure condition without restriction.

### RF Exposure Information

- DO NOT operate the radio without a proper antenna attached, as this may damage the radio and may also cause you to exceed RF exposure limits. A proper antenna is the antenna supplied with this radio by the manufacturer or an antenna specifically authorized by the manufacturer for use with this radio, and the antenna gain shall not exceed the specified gain by the manufacturer declared.
- To avoid interference, turn off the radio in areas where signs are posted to do so.
- DO NOT operate the transmitter in areas that are sensitive to electromagnetic radiation such as hospitals, aircraft, and blasting sites.

### Avoid Choking Hazard



Small Parts. Not for children under 3 years.

### Protect your hearing:



- Use the lowest volume necessary to do your job.
- Turn up the volume only if you are in noisy surroundings.
- Turn down the volume before adding headset or earpiece.
- Limit the amount of time you use headsets or earpieces at high volume.
- When using the radio without a headset or earpiece, do not place

the radio's speaker directly against your ear

- Use careful with the earphone maybe possible excessive sound pressure from earphones and headphones can cause hearing loss

Note: Exposure to loud noises from any source for extended periods of time may temporarily or permanently affect your hearing. The louder the radio's volume, the less time is required before your hearing could be affected. Hearing damage from loud noise is sometimes undetectable at first and can have a cumulative effect.

### Approved Accessories



- This radio meets the RF exposure guidelines when used with the Reteless accessories supplied or designated for the product. Use of other accessories may not ensure compliance with the RF exposure guidelines and may violate regulations.
- For a list of Reteless-approved accessories for your radio model, visit the following website: <http://www.Reteless.com>

## Guarantee

Model Number: \_\_\_\_\_

Serial Number: \_\_\_\_\_

Purchasing Date: \_\_\_\_\_

Dealer: \_\_\_\_\_ Telephone: \_\_\_\_\_

User's Name: \_\_\_\_\_ Telephone: \_\_\_\_\_

Country: \_\_\_\_\_ Address: \_\_\_\_\_

Post Code: \_\_\_\_\_ Email: \_\_\_\_\_

### Remarks:

1.This guarantee card should be kept by the user, no replacement if lost.

2.Most new products carry a two-year manufacturer's warranty from the date of purchase.

3.The user can get warranty and after-sales service as below:

- Contact the seller where you buy.

- Products Repaired by Our Local Repair Center

4.For warranty service, you will need to provide a receipt proof of purchase from the actual seller for verification

Exclusions from Warranty Coverage:

1.To any product damaged by accident.

2.In the event of misuse or abuse of the product or as a result of unauthorized alterations or repairs.

3.If the serial number has been altered, defaced, or removed.