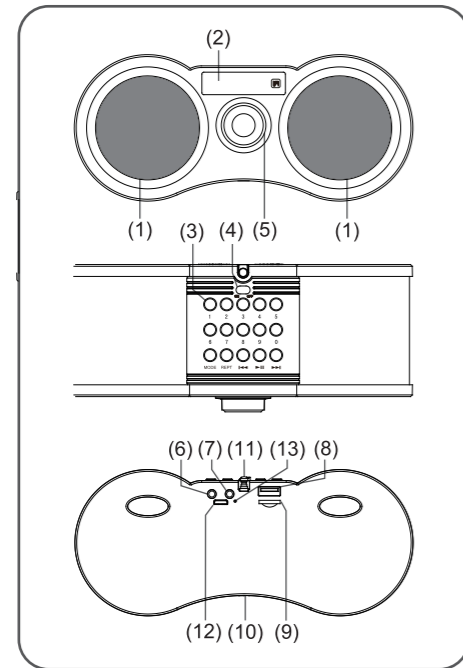


# RETEKESS V113 User's Manual

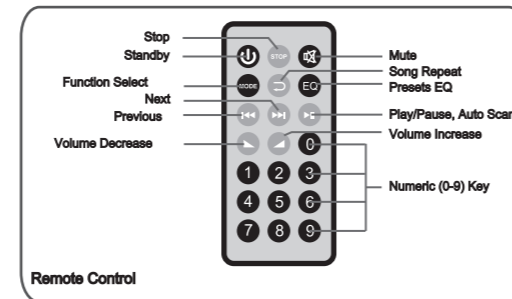


## FM Stereo Radio with USB & TF Card MP3 Player

### THE LOCATION OF CONTROLS

- (1) Loudspeaker
- (2) Display
- (3) Control Keypad
- (4) Power Switch
- (5) Volume Knob
- (6) Aux-IN Jack
- (7) Earphone Jack
- (8) USB Port
- (9) TF Card Slot
- (10) Battery Compartment
- (11) Telescopic Antenna
- (12) Micro USB-IN Jack
- (13) Charging Indicator

- (4) Power Switch
- (5) Volume Knob
- (6) Aux-IN Jack
- (7) Earphone Jack
- (11) Telescopic Antenna
- (12) Micro USB-IN Jack
- (13) Charging Indicator



### BATTERY CHARGER

- By USB cable, connect the computer or AC Adaptor to the interface, to charge the battery
- When charging indicator (13) lights up, show the unit is charging
- The first time to charge should be at least 8-10 hours  
Warning: The output voltage of AC adapter should not exceed 6v, higher voltage will damage the battery, even will explosion.

### USB & TF CARD PLAY

- Turn on the power switch (4), the radio will start work
- Insert the USB drive or TF card at (8) or (9), meanwhile please make sure the USB / TF card is inserted correctly, the mp3 music will automatically play
- Select your favorite song by control keypad (3): Press key to paly the previous song, press key to play the next song
- Rotate the volume knob (5) to adjust the volume

### FM RADIO PLAY

- Switich on the player
- Press MODE key to radio mode, the display will appear FM frequency
- Press once to start searching and automatically storing the stations
- Please wait for a minute, the radio will auto store all the available stations
- For better reception, before start fm player, please extend and adjust the telescopic antenna(11)

### AUX-IN JACK

By Aux-in line, contact the player to an external device, the display will appear AUX symbol, this function is suitable for MP3, iPod, computer, etc music devices.

### EARPHONE JACK

For private listening, insert a plug 3.5 Φ Earphone (option) into Earphone Jack(7). When the earphone is plugged, sound will automatically play from headphones

### CHAGE BATTERY

You can unplug the battery from the battery slot firstly, then you will see two black and red lin which connecting the battery to the radio, and in the conneted place there is a white connector, remove the white connector, and the can install a BL-5C NOKIA battery.

### PRECAUTION

- Avoid radio been collision violently and fall to the ground
- Do not put the player under sunshine or in hot and humid places
- Please do not use alcohol, thinners or other strong detergents clean the player
- Use a soft cloth with mild detergent to clean the cabinet

### SPECIFICATIONON

Frequency Range\* FM 87.5~108MHz  
Sensitivity: 20dB  
Signal-to-Noise Ratio: 40dB  
Output Power: 3 Watts x2  
Power Supply: DC 5V

### SCAUTION



Avoid Choking Hazard  
Small Parts. Not for children under 3 years.



Protect your hearing  
·Use the lowest volume necessary to do your job.  
·Turn up the volume only if you are in noisy surroundings.  
·Use the lowest volume necessary to do your job.  
·Turn up the volume only if you are in noisy surroundings.

- Turn down the volume before adding headset or earpiece.
- Limit the amount of time you use headsets or earpieces at high volume.
- When using the radio without a headset or earpiece, do not place the radio's speaker directly against your ear
- Note: Exposure to loud noises from any source for extended periods of time may temporarily or permanently affect your hearing. The louder the radio's volume, the less time is required before your hearing could be affected. Hearing damage from loud noise is sometimes undetectable at first and can have a cumulative effect.

EU Importer:  
Name: Germany Retevis Technology GmbH  
Address: Uetzenacker 29,38176 wendenburg

### FCC STATEMENT :

This device complies with Part 15 of the FCC Rules. Operation is subject to the following two conditions:

- This device may not cause harmful interference, and
- This device must accept any interference received, including interference that may cause undesired operation.

Warning: Changes or modifications not expressly approved by the party responsible for compliance could void the user's authority to operate the equipment.  
NOTE: This equipment has been tested and found to comply with the limits for a Class B digital device, pursuant to Part 15 of the FCC Rules. These limits are designed to provide reasonable protection against harmful interference in a residential installation. This equipment generates uses and can radiate radio frequency energy and, if not installed and used in accordance with the instructions, may cause harmful interference to radio communications. However, there is no guarantee that interference will not occur in a particular installation. If this equipment does cause harmful interference to radio or television reception, which can be determined by turning the equipment off and on, the user is encouraged to try to correct the interference by one or more of the following measures:

- Reorient or relocate the receiving antenna.
- Increase the separation between the equipment and receiver.
- Connect the equipment into an outlet on a circuit different from that to which the receiver is connected.
- Consult the dealer or an experienced radio/TV technician for help.