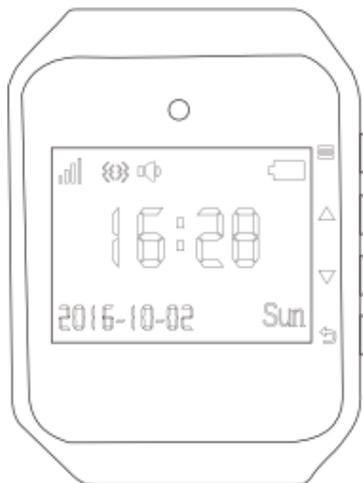


Manual

Thank you for selecting our
smart wireless watch pager.

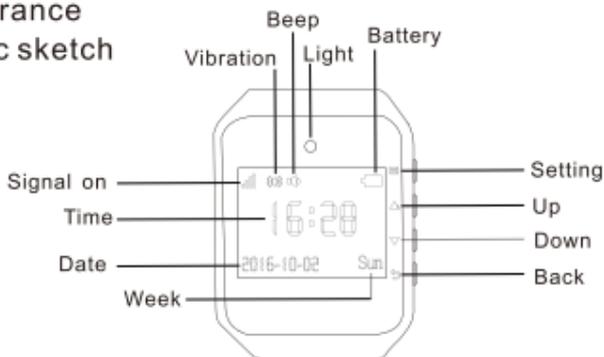


1 Main Features

- LCD dot matrix screen, easy to use;
- with calendar display, not lose time or date when turn off;
- maximum 999 wireless transmitters, transmitter name can be edited;
- compatible with other transmitters from different manufacturers; keys value of transmitter can be redefined (re-matched);
- save last 99 groups of calling history for query;
- power ON/OFF timer;
- beep, vibration, light are available for calling prompt;
- can setup numbers of alert/prompt;
- exclusive power-saving technology;
- built-in large capacity rechargeable lithium battery;
- compatible with full range of transmitters of 1527 (resistance 150K-470K) and 2262 (resistance 1.5M-4.7M).

2 Product Appearance

2.1 Diagrammatic sketch



2.2 Appearance of watch pager

There are totally 4 buttons [≡], [▽], [△] and [↵], 1 USB port and 1 breathing light on the watch.

Short press: press the button less than 1 second and then release;

Long press: press and hold the button around 3 seconds and then release.

[Setting/ ≡] : short press to enter system setup menu or submenu, long press to shift the bits or delete power timer, alarm clock;

[Up / △] : short press to page up separately, long press to page up continuously;

[Down / ▽] : short press to page down separately, long press to page down continuously;

[Back / ↵] : short press to delete current calling record, long press to delete all calling history; in the state of setting, short press to previous menu, long press to main interface;

[USB port] : connect USB charger;

[Breathing light] : When there is a call, flashing green light.

During charging or low battery, light is red, when the battery is fully charged, light is green.

3 General Setting

3.1 Turn on/off the watch

3.1.1. Turn on: when the watch is turned off, press and hold [Back/ ↵] button 3 seconds until the screen is lit and then release.

3.1.2. Turn off: when the watch is turned on, press and hold [Back/ ⏪] button 3 seconds, and then displays "Shut down", and then short press [Setting/ ≡] button to turn off the watch. The information of time and date will not be lost after turn off.

3.2 Function settings

In standby mode, short press [Setting/ ≡] button to enter system setup menu, press [UP Δ/ Down ▽] button to select relevant function setting, short press [Setting/ ≡] button to enter relevant submenu, short press [Back/ ⏪] button to previous menu, long press [Back/ ⏪] button or without any operation in 60 seconds will directly back to main interface.

3.2.1 Add buttons (transmitters)

In standby mode, short press [Setting/ ≡] to enter system setup menu, and then short press [Setting/ ≡] button again to enter submenu "Add buttons" interface, 0001 means area code, the user can press [Up Δ/ Down ▽] button to select the bit. Each bit can be 0-9, A-Z or - (middle bar), _ (down bar) or space. For example, you can setup 8886 area, N_88 area, 2-N8 area , 8-6A area, N8 area, etc., each area can add or program 1 or more transmitters (max. 999), after setup correct area code and the screen displays "Pls push button" then the user can press the button on the transmitter, this watch will

beep after receiving the signal from the transmitter, meanwhile the number will be increased automatically (the previous figure is the number of programmed transmitters of current area, second figure is total number of programmed transmitters of this watch). During adding or programming the transmitter, if the user does not press the transmitter, the number is automatically increased that means this watch has been added or programmed someone else's transmitter by mistake, then short press **【Setting/≡】** button to delete newly programmed transmitter, meanwhile the figure of programmed transmitters will be reduced 1. The user can press **【Setting/≡】** button again to delete one by one until the screen shows 000.

User can choose one-button or multi-buttons transmitter. If using the transmitter of other manufacturer, it may be necessary to redefine the key value or function of the transmitter (to redefine it, refer to 3.2.2 Keys define).

Notes: 1) If the user wants to add the first transmitter into 0001 area, the second transmitter into 0002 area, after adding the first transmitter successfully, short press **【Up/△】** button till the screen shows "0002" and "Pls push button", then press relevant button of second transmitter (otherwise it is possible to add or program the second transmitter into 0001 area together).

2) Tips 1: To jump from any number between 1 and 9 to number 0 quickly, press **【Down/▽】** button can reach number 0 faster

than **【Up/△】** button.

3) Tips 2: Please try to add or program only 1 transmitter in each area code separately even though the user can add 999 transmitters in 1 single area.

Delete transmitter separately

Short press **【Setting/≡】** button to enter system setup menu, then short press **【Setting/≡】** button, and then press **【Up△ / Down ▽】** button to select correct area code to delete, then short press **【Setting/≡】** button to delete the transmitter of the same area one by one. To delete all transmitters, please refer to Default setting (3.2.12 Default set).

Notes:

1) If there are totally 3 transmitters are programmed in same area 0001, the user can use above way to delete the transmitter separately, firstly will delete No.3 transmitter (newest programmed transmitter) in area 0001 and then No.2 transmitter in area 0001 and then No.1 transmitter (earliest programmed transmitter) in area 0001.

2) If the user wants to delete programmed transmitters in 0002, 0005, 0009 area separately, short press **【Setting/≡】** button to enter system setup menu, then short press **【Setting/≡】** button again, and then press **【Up△ / Down ▽】** button to 0002 area, and then short press **【Setting/≡】** button to delete the transmitter of 0002 area; And then press **【Up/△】** button till the screen shows "0005" then short press **【Setting/≡】**

button to delete the transmitter of 0005 area; And then press **【Up/△】** button till the screen shows "0009" then short press **【Setting/≡】** button.

3.2.2 Keys define

When the user programmed the transmitter and press corresponding button of the transmitter and find display function on the screen does not match the function name of relevant button on the transmitter, then need to redefine or re-match the transmitter keys value: In standby mode, short press **【Setting/≡】** to enter system setup menu, then press **【UP△/ DOWN▽】** to move the cursor to "Keys define", then press **【Setting/≡】** button to enter keys define submenu. For example, when the screen shows "Water", short press **【Setting/≡】** button and then press the 'Water' button on the transmitter. If the watch beeps and displays "Set successfully" which means key value redefined or re-matched successfully. In same way, the user can redefine or re-match corresponding key value of "ORDER, CALL, PAY, SERVICE, CANCEL, MEDICATION, SOS, NEEDLE, DOCTOR, COFFEE, JUICE, SATIS(satisfaction), DISSA (dissatisfaction), CLEAN, CHECK (check out),etc.

Note: Before redefine or rematch keys value of transmitter, please add or program the transmitter at first.

3.2.3 Prompt setting

There are three types of prompt: bright LCD backlight,

vibration and beep. The user can select one or combination of them. In standby mode, short press **【Setting/ ≡】** to enter system setup menu, then press **【UP Δ / Down ▽】** button to move cursor to "Prompt setting", then press **【Setting/ ≡】** button to enter prompt setting submenu. Press **【Up Δ / Down ▽】** button to move the cursor to relevant prompt modes. Press **【Setting/ ≡】** key to select relevant prompt mode. If the icon is means this prompt mode is selected. If the icon is means that prompt mode is not selected. After setting, press **【Back/ ↵】** to exit.

3.2.4 Alert repeat

In standby mode, short press **【Setting/ ≡】** to enter system setup menu, then press **【UP Δ / DOWN ▽】** button to move cursor to "Alert repeat", then press **【Setting/ ≡】** button to enter alert repeat submenu. Press **【Up Δ / Down ▽】** button to move the cursor to relevant time(s). Press **【Setting/ ≡】** key to select relevant time(s). If the icon is means this alert repeat times is selected. If the icon is means that alert repeat times is not selected. After setting, press **【Back/ ↵】** to exit.

3.2.5 Power timer

The user can set power timer (maximum 10 groups of timing ON/OFF). In standby mode, short press **【Setting/ ≡】** to

enter system setup menu, then press **[UP Δ / DOWN ▽]** button to move the cursor to " Power timer", then press **[Setting/ ≡]** button to enter power timer submenu.

1)Add a power timer

After enter power timer submenu, press **[Up Δ /Down ▽]** to move the cursor to 'Add', and short press **[Setting/≡]** button to shift to hour, minute, each week and then setup 'Timing off' or 'Timing on', press **[Up Δ /Down ▽]** button to adjust the value. After setting, press **[Back/ ↵]** button to exit.

2)Edit a power timer

Press **[Up Δ / Down ▽]** to move the cursor to the group of power timer to be edited, press **[Setting/≡]** button to move the cursor to hour, minute, week and setting "Timing off" or "Timing on", press **[Up Δ / Down ▽]** to adjust the value. After setting, press **[Back/ ↵]** to exit.

3)Delete a power timer

Press **[UP Δ / Down ▽]** to move the cursor to the group of power timer to be deleted, long press **[Setting/ ≡]** button to delete selected group of "Timing off" or "Timing on". After setting, press **[Back/ ↵]** to exit.

3.2.6Timer

The user can setup timer. In standby mode, short press

【Setting/≡】 to enter system setup menu, then press 【UP△ / DOWN▽】 button to move the cursor to "Timer", then press 【Setting/≡】 button to enter timer submenu. Press 【Up△ / Down▽】 to adjust the value (minute, second, hour), short press 【Setting/≡】 button to move the cursor from minute to second and hour. After setting, press 【Back/↵】 button to exit. When reaching previous setup timer, the watch will beep and light on backlight, short press 【Back/↵】 to stop it.

3.2.7 Pending remind

The user can setup pending remind. In standby mode, short press 【Setting/≡】 to enter system setup menu, then press 【UP△ / DOWN▽】 button to move the cursor to " Pending remind", then press 【Setting/≡】 button to enter pending remind submenu. Press 【Up△ / Down▽】 to adjust the value (minute). After setting, press 【Back/↵】 button to exit. For example, if setup pending remind 10 minutes, any un-attended call will be reminded every 10 minutes till attended or canceled.

3.2.8 Alarm clock

The user can setup alarm clock (maximum 10 groups of alarm clock). In standby mode, short press 【Setting/≡】 to enter system setup menu, then press 【UP△ / DOWN▽】 button to move the cursor to " Alarm clock", then press 【Setting/≡】 button to enter alarm clock submenu.

1)Add an alarm clock

After enter alarm clock submenu, press **[Up Δ /Down ▽]** to move the cursor to 'Add', short press **[Setting/≡]** button to move the cursor from hour to minute, date, press **[Up Δ /Down ▽]** button to adjust the value. After setting, press **[Back/↵]** button to exit.

2)Edit an alarm clock

Press **[Up Δ / Down ▽]** to move the cursor to the group of alarm clock to be edited, press **[Setting/≡]** button to move the cursor to hour, minute, date, press **[Up Δ /Down ▽]** to adjust the value. After setting, press **[Back/↵]** to exit.

3)Delete an alarm clock

Press **[UP Δ / DOWN ▽]** to move the cursor to the group of alarm clock to be deleted, long press **[Setting/≡]** button to delete selected "Alarm clock". After setting, press **[Back/↵]** to exit.

3.2.9 Clear history

In standby mode, short press **[Setting/≡]** to enter system setup menu, then press **[UP Δ / DOWN ▽]** button to move cursor to "Clear history", then press **[Setting/≡]** button to enter clear history submenu. Press **[Up Δ /▽ Down]** to change the number of seconds. Press **[UP/Δ]** button once to add 5 seconds, press **[DOWN/▽]** button once to reduce 5

seconds. Default is 0 second. After setting, press **【Back/↵】** to exit.

3.2.10 Date&time setting

User can set current time and date. In standby mode, short press **【Setting/≡】** to enter system setup menu, then press **【UP Δ / DOWN ▽】** to move the cursor to " Date&time setting ", then press **【Setting/≡】** button to enter date and time setting submenu, press **【UpΔ / Down▽】** key to adjust the time, short press **【Setting/≡】** button to move the cursor to 'H(Hour)', 'M(Minute)', 'S(Second)', 'Y(Year)' 'M(Month)' and 'D(Day)'.

3.2.11 Language

In standby mode, short press **【Setting/≡】** to enter system setup menu, then press **【UP Δ / DOWN ▽】** to move the cursor to " Language ", then press **【Setting/≡】** button to enter language setting submenu, press **【Up Δ / Down ▽】** key to move the cursor to relevant language and then press **【Setting/≡】** button to confirm. After setting, press **【 Back/↵】** to exit.

3.2.12 Default set

Short press **【Setting/≡】** to enter system setup menu, then press **【UP Δ / DOWN ▽】** to move cursor to "Default set", then short press **【Setting/≡】** button to enter default setting

submenu, press **[UP Δ / ▽ DOWN]** to the mode of restore and then press **[Setting/≡]** key to select relevant mode of restore. When the icon is means this restore mode is selected; When the icon is means that restore mode is not selected. After selecting, move the cursor to "OK", press **[Setting/≡]** button to start restore, or move the cursor to "CANCEL" and press **[Setting/≡]** button to exit without any restore. After setting, press **[Back/↶]** to exit.

Note: If selecting "Del transmitters", whole added or programmed transmitters will be deleted; If selecting "Default keys", keys define or keys value will restore to factory default; If selecting "Default settings", except not delete transmitters and restore keys define, all other settings will restore to factory default.

3.2.13 Black box

The user can check all calling history in black box. In standby mode, short press **[Setting/≡]** to enter system setup menu, then press **[UP Δ / DOWN ▽]** button to move the cursor to "Black box", then press **[Setting/≡]** button to enter black box to check and review all calling history. Press **[Back/↶]** button to exit.

3.2.14 About me

The user can query the version of this watch. In standby mode, short press **[Setting/≡]** to enter system setup menu, then press **[UP Δ / DOWN ▽]** to move cursor to "About me", short

press **【Setting/☰】** key to inquire related information, V4.0 means version 4.0 and 2018-01-24 indicates the date of release. Press **【BACK/↶】** to exit.

3.3 Call operation

When the transmitter is programmed with the watch pager (refer to 3.2.1 Add buttons), the transmitter can call the watch pager. The calling record will be displayed the area code (such as area N088) and the number of calls (Such as 36 times, if more than 99 times, then display 99 +), calling time (such as 16:06), number of call records (such as 01/03 means No. 1 of current calling records, total 3), short press **【UP△ /DOWN▽】** to check previous calling records, this watch can query maximum 99 groups of calling history, short press **【Back/↶】** button to delete a group of calling record. Long press **【 Back/ ↶】** button to delete all calling history.

4 Precautions

1. The watch pager does not accept calls in the state of setting.
2. When the watch shutdown or power off, all calling records will be deleted.

5 Technical Parameters

1. Working voltage: built-in 3.7V rechargeable lithium battery, USB-5V charging
2. Working current: <9mA
3. Standby current: <50 μ A
4. Radio frequency: 433 MHz

5. Receiving range: 300 meters (open air)
6. Ambient temperature: -20 °C - 55 °C
7. Size: 61 × 41 × 14mm (without watch belt)

6 Packing List

1. Watch pager 1pc
2. USB charger 1pc

7 Troubleshooting

Malfunction	Cause	Solution
1. Press the transmitter, the watch does not respond	<ol style="list-style-type: none"> 1. The transmitter is not programmed 2. The transmitter is lower battery 	<ol style="list-style-type: none"> 1. Add transmitter (refer to 3.2.1 Add buttons) 2. Replace the battery of transmitter
2. short range	The transmitter is lower battery	Replace the battery of transmitter
3. No vibrate or no sound or no light when get a in-call	not setup calling prompt	Enter prompt setting menu to setup (refer to 3.2.3)
4. Transmitter of other manufacturers does not display function well	Key value does not match	Reset the key value (refer to 3.2.2 Keys define)
5. automatically shut down	<ol style="list-style-type: none"> 1. Power is too low 2. Setup power timer 	<ol style="list-style-type: none"> 1. Please charge 2. Delete unnecessary power timer (refer to 3.2.5 Power timer)

